

F LUM



**LUMENIA
OUTDOOR**

The F LUM LED floodlight is our high power outdoor luminaire. It features a robust construction with modular design along with precision aiming device for adjustment and a visor that reduces light spill. Other features include a remote driver placement for easier maintenance without the use of ladder or cherry picker truck.



	F LUM		
System efficacy	Up to 150 lm/W		
Supply voltage	220-240 VAC		
Power	600 W	900 W	1200 W
Luminous flux	Up to 90,240 lm	Up to 135,900 lm	Up to 180,453 lm
Reflector weight	15,5 kg	20,5 kg	25,5 kg
Power supply unit weight	7,0 kg	9,0 kg	10,5 kg
Power factor	> 0.95		
Lifetime L80B10	85,000 h		
CCT	4,000K; 5,000K; 5,700K; Other optional		
CRI	> 70; Other optional		
Ingress protection	IP 66		
Mechanical strength	IK 08		
Surge protection options	10kV/10kA, (optional 20kV/20kA)		
Operating temperature	-30 °C to + 50 °C		
Colour	Matte gray		
Housing material	Aluminium		
Remote control options	Optional DALI or 0-10V		
Warranty	5 years		
Certificates	CE		



System efficacy



LED module



Energy saving product



Overload protection



Supply voltage



Protection class



Mechanical strength



Long life



Dimming options



Low maintenance



Ready to use



Easy mounting



CE certificate



Control options

MAIN FEATURES

- Efficacy up to 150 lm/W
- Adjustable projecting direction
- No flickering
- Optics to suit all applications
- Detachable driver

APPLICATIONS

- Large recreational sports facilities
- Airports
- Harbors
- Industrial areas
- Outdoor car parking
- Squares

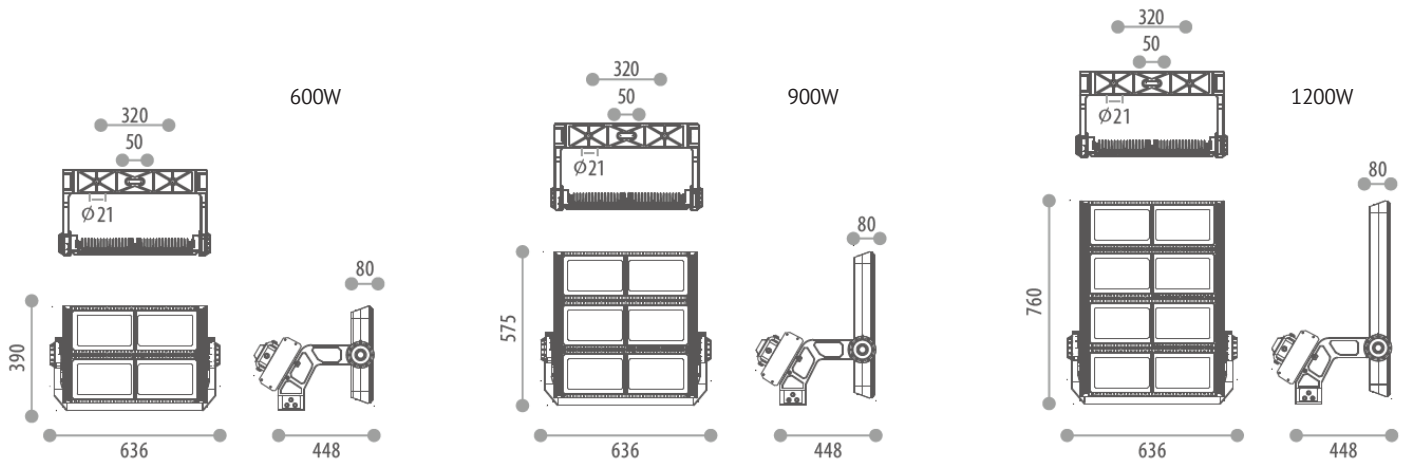


600W

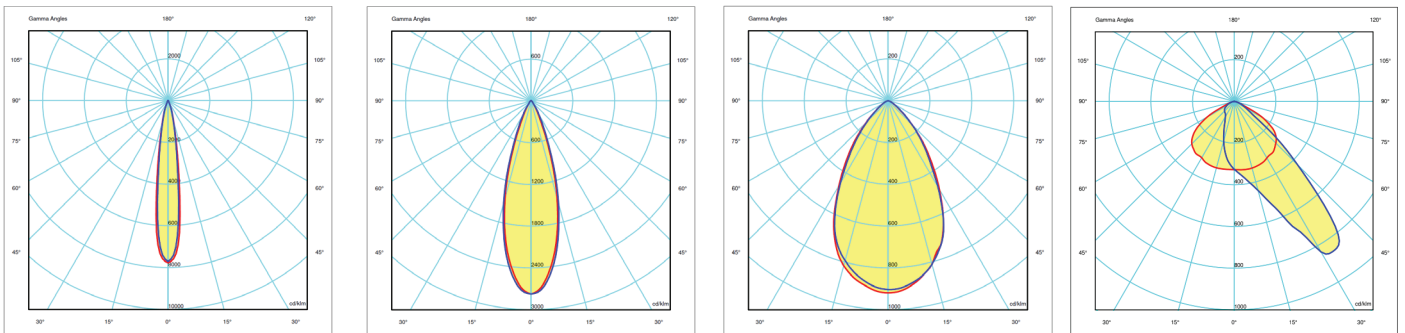
900W

1200W

DIMENSIONS



OPTIC



000: Distribution of luminance of 15 degree.

001: Distribution of luminance of 30 degree.

010: Distribution of luminance of 60 degree.

002: Distribution of luminance of 45 degree.

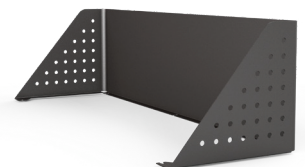
PRODUCT VARIATIONS

Article	Power [W]	Luminous flux [lm]* 4000K	Efficacy [lm/W]* 4000K	Luminous flux [lm]* 5000K & 5700K	Efficacy [lm/W]* 5000K & 5700K	Optics
F LUM1; 326.600.000	600	74,100	124	77,982	130	000
F LUM2; 492.900.000	900	110,550	123	116,359	129	000
F LUM3; 656.1200.000	1200	148,500	124	156,311	130	000
F LUM1; 326.600.001	600	82,111	137	90,240	150	001
F LUM2; 492.900.001	900	131,279	146	135,108	150	001
F LUM3; 656.1200.001	1200	173,555	145	179,760	150	001
F LUM1; 326.600.010	600	82,111	137	90,138	150	010
F LUM2; 492.900.010	900	131,279	146	135,900	151	010
F LUM3; 656.1200.010	1200	173,550	145	180,453	150	010
F LUM1; 252.600.002	600	63,067	105	66,387	110	002
F LUM2; 378.900.002	900	92,419	103	97,284	108	002
F LUM3; 504.1200.002	1200	125,670	105	132,284	110	002

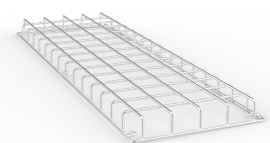
*Luminous flux is valid for CCT 4000K / 5000 K & 5700 K



Precision aiming device



Visor to trim the excess upward light



Wireguard to protect the fixture