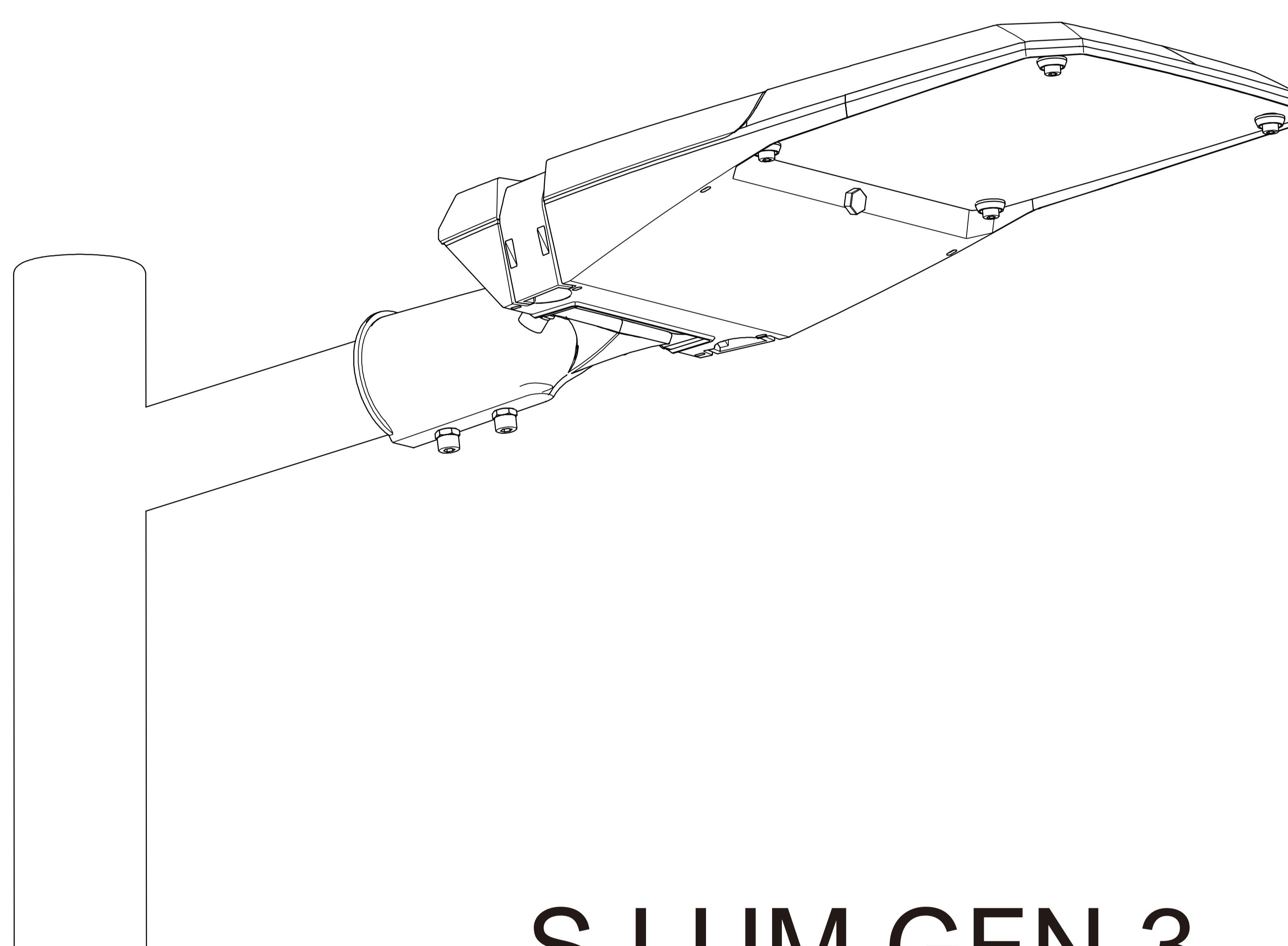


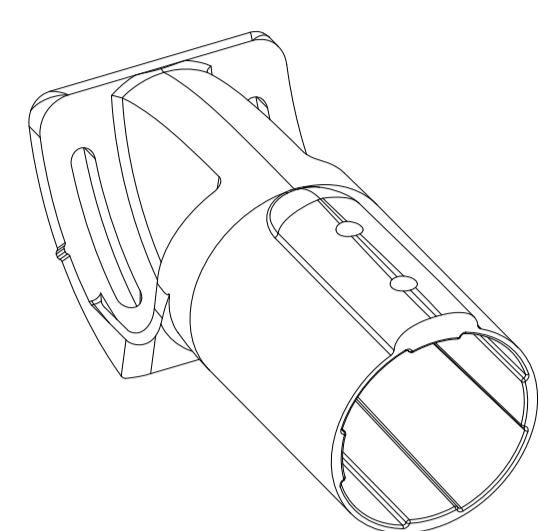
LUMENIA
LIGHT SMARTER

Installation Manual

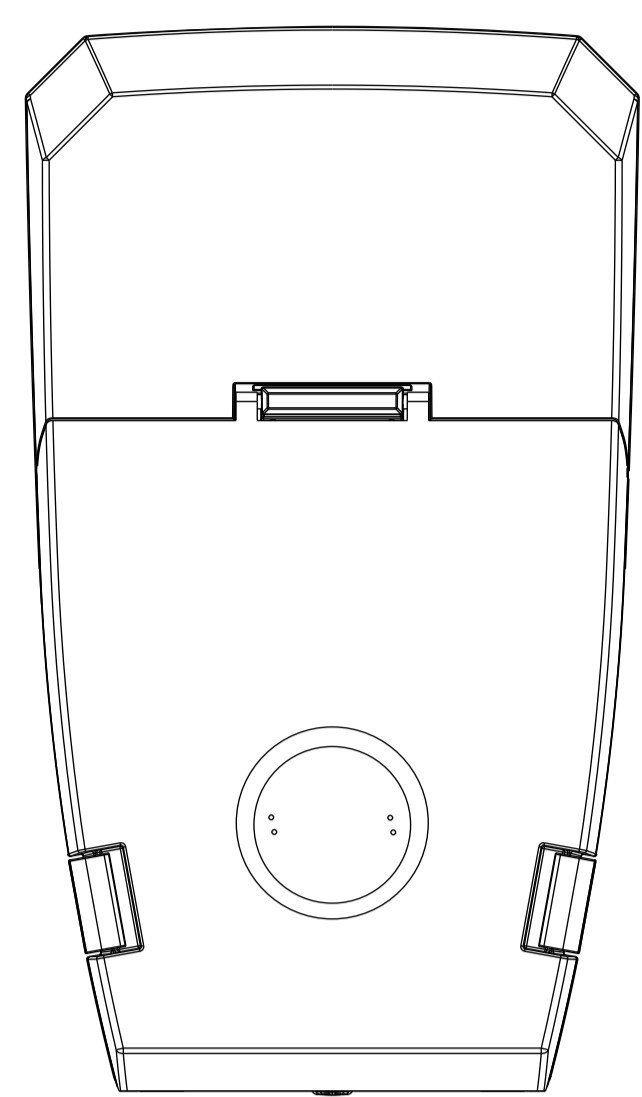


S LUM GEN 3

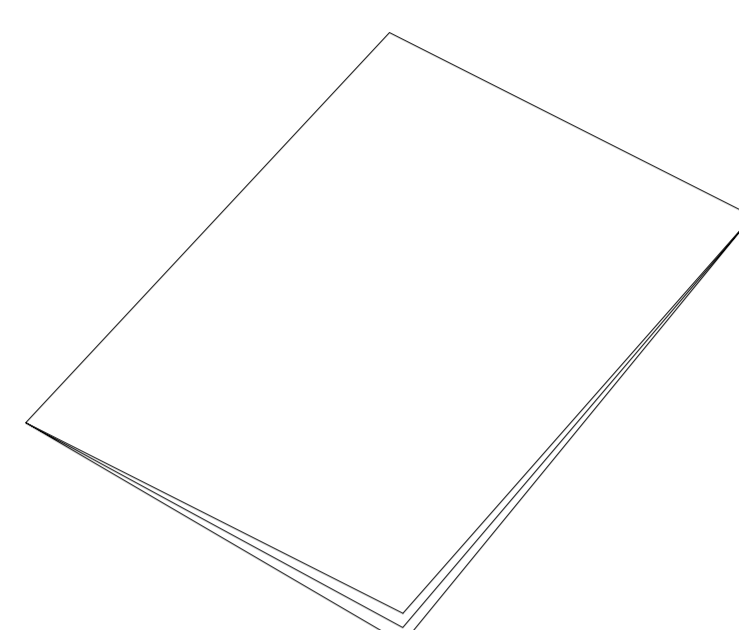
Components and accessories in the carton



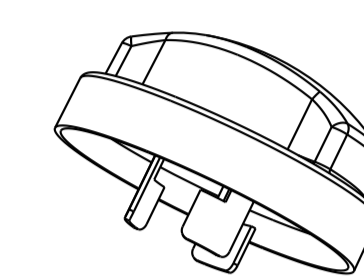
Adaptor ×1



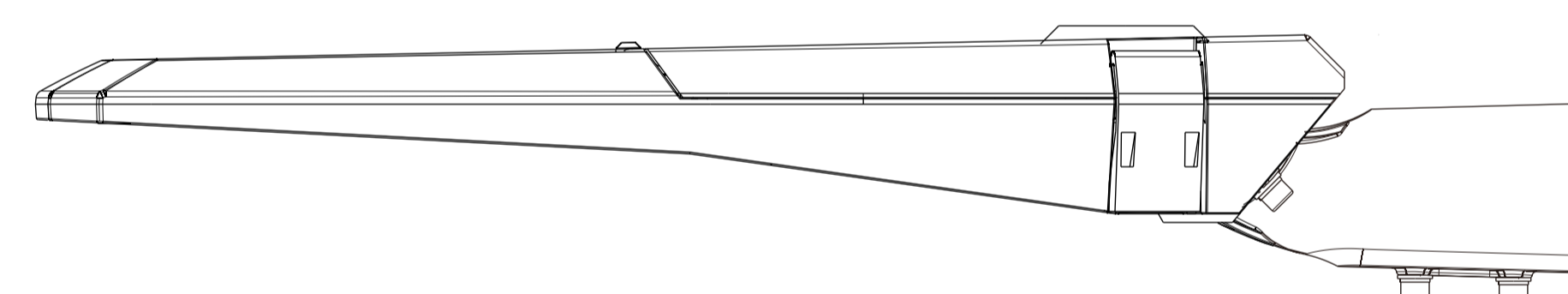
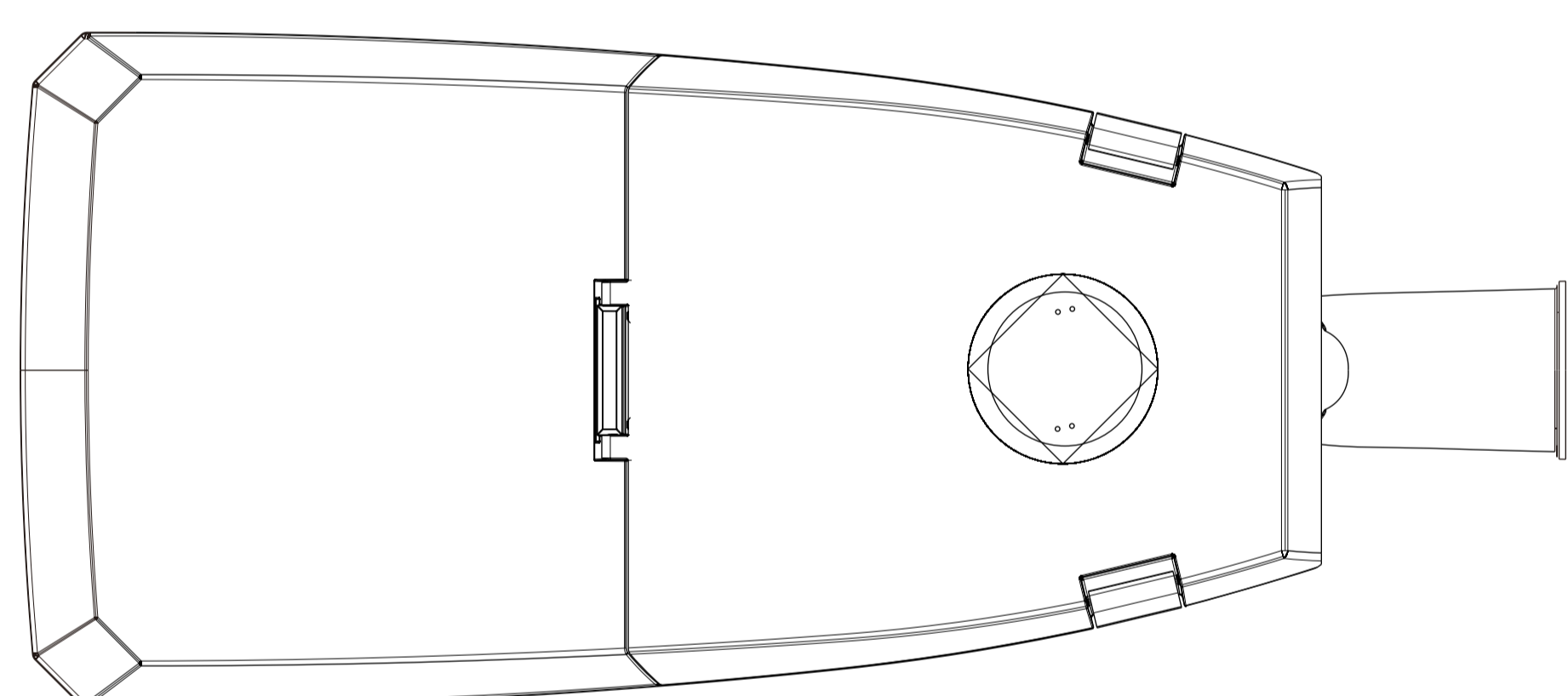
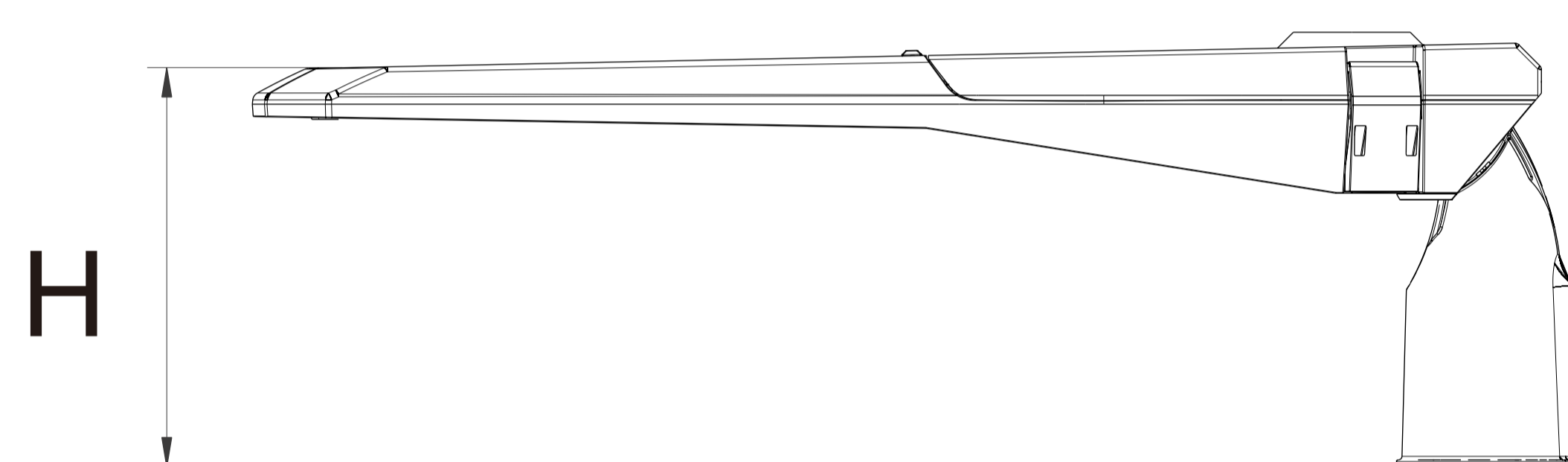
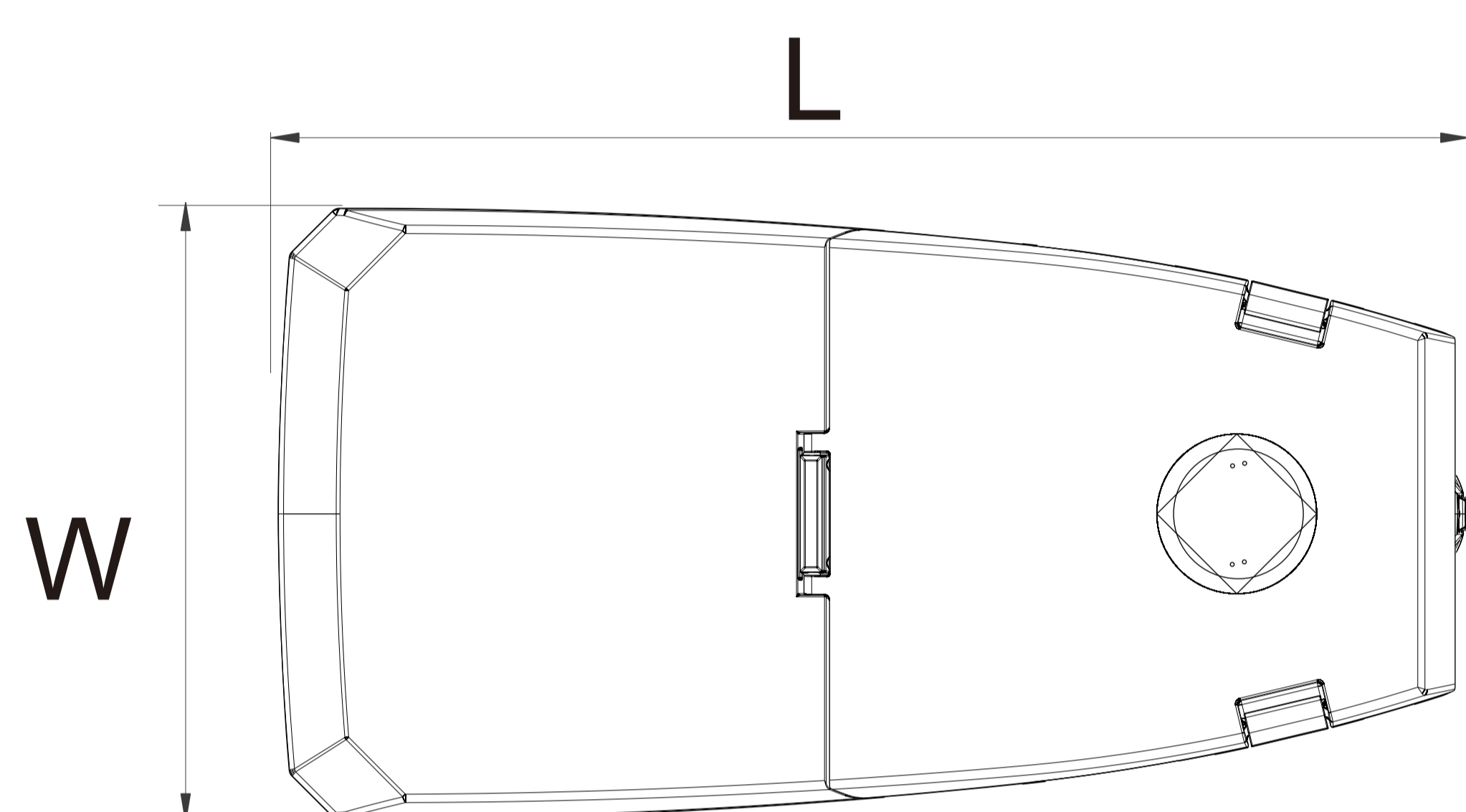
Mainbody ×1



Installation Instructions ×1



Shorting Cap ×1



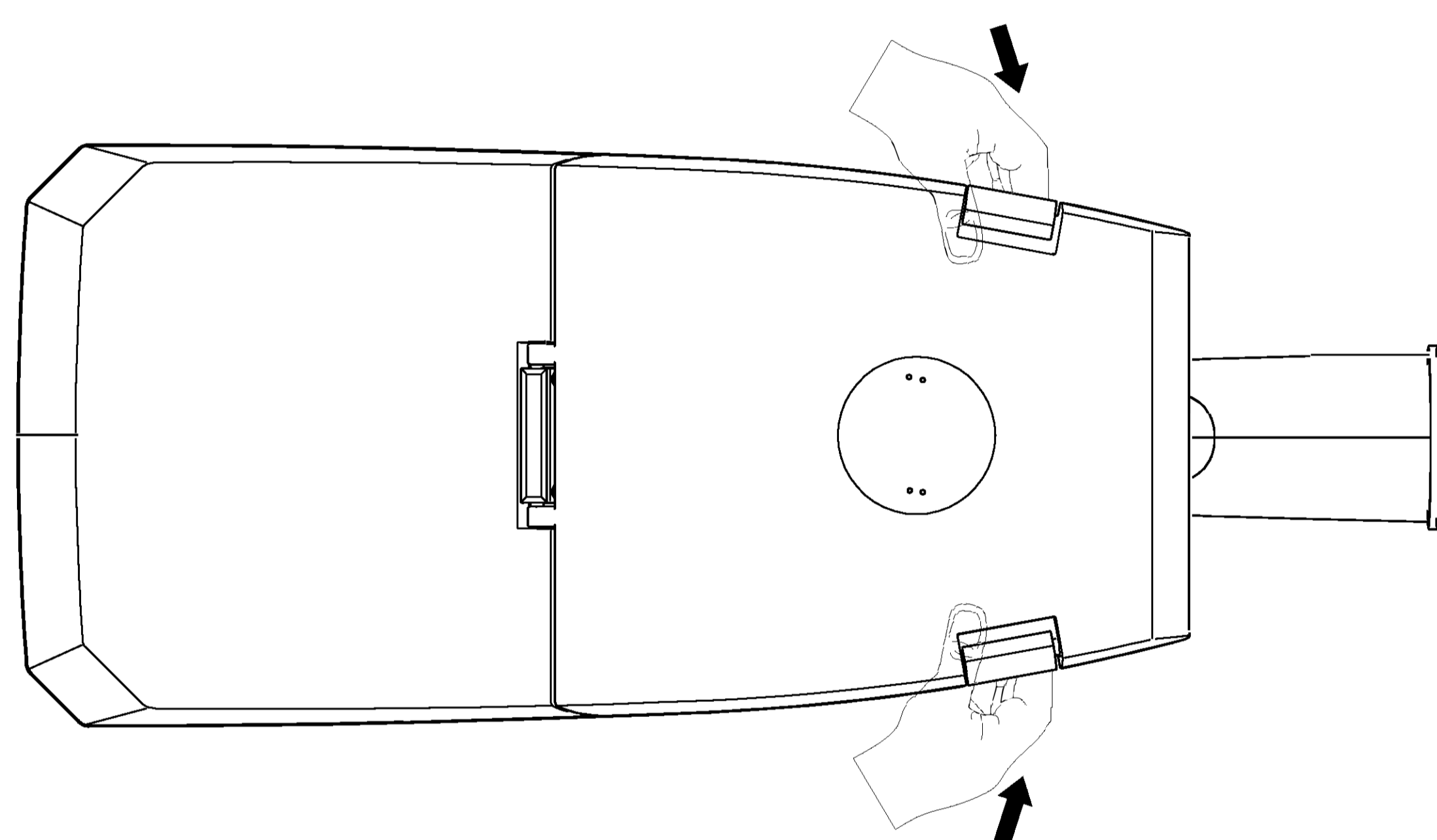
Specification

Model No.	Watts	Input	Dimension Lx Wx H(mm)	Weight	Max Projected Area(m ²)	IP	IK	ta(°C)
S LUM Small	20-50 W	220-240V ~50/60HZ	384.5x251x187	4.5KG	0.084	66	09	-40 + 55
S LUM Medium	50-80 W	220-240V ~50/60HZ	505x221x197	6.5KG	0.131	66	09	-40 + 55
S LUM Large	80-120 W	220-240V ~50/60HZ	605.5x311x222.5	8.5KG	0.163	66	09	-40 + 55
S LUM Extra large	120-200 W	220-240V ~50/60HZ	747x361x245.2	9.8KG	0.237	66	09	-40 + 55

Installation steps

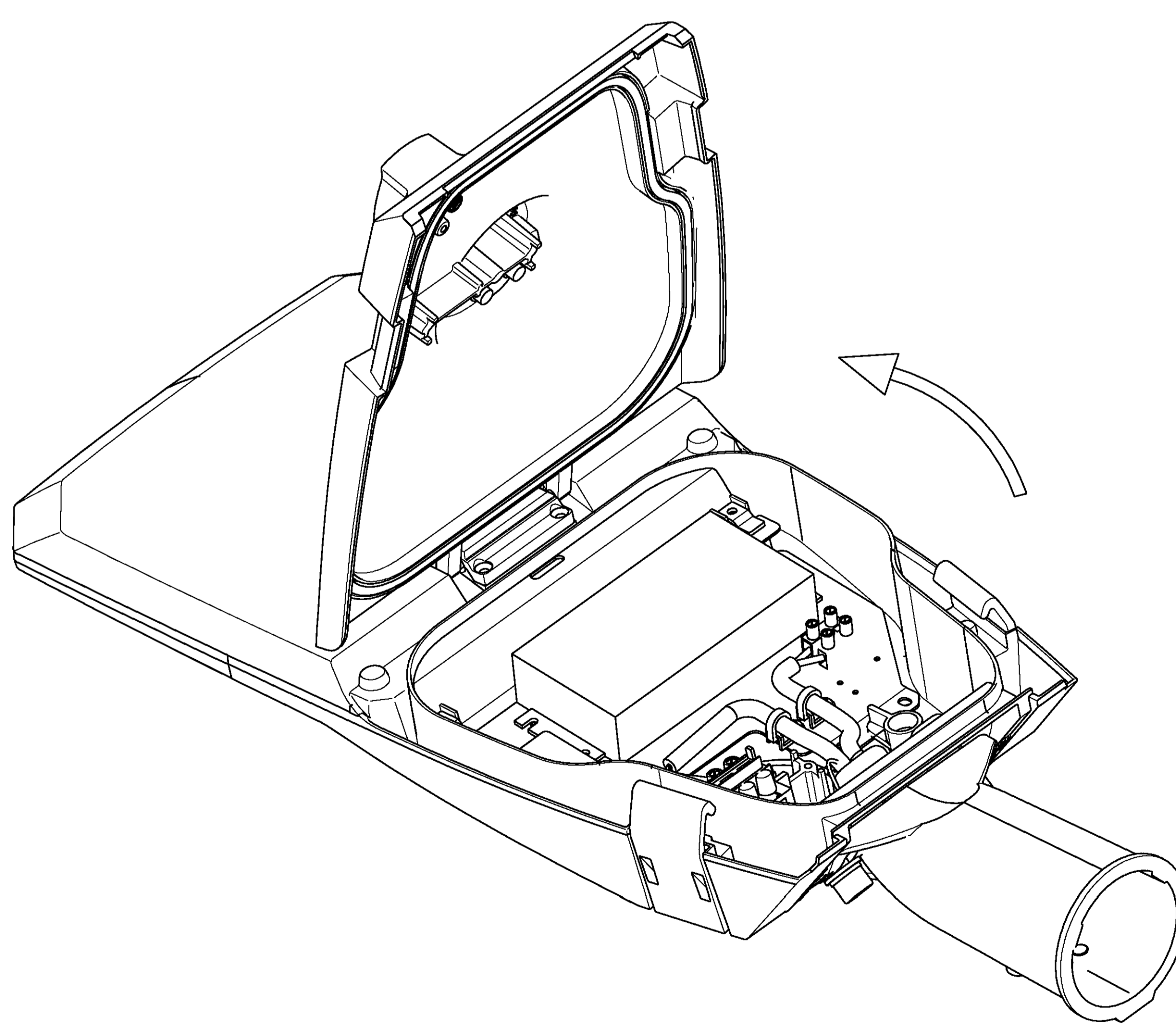
①

① Pull to loose the clips

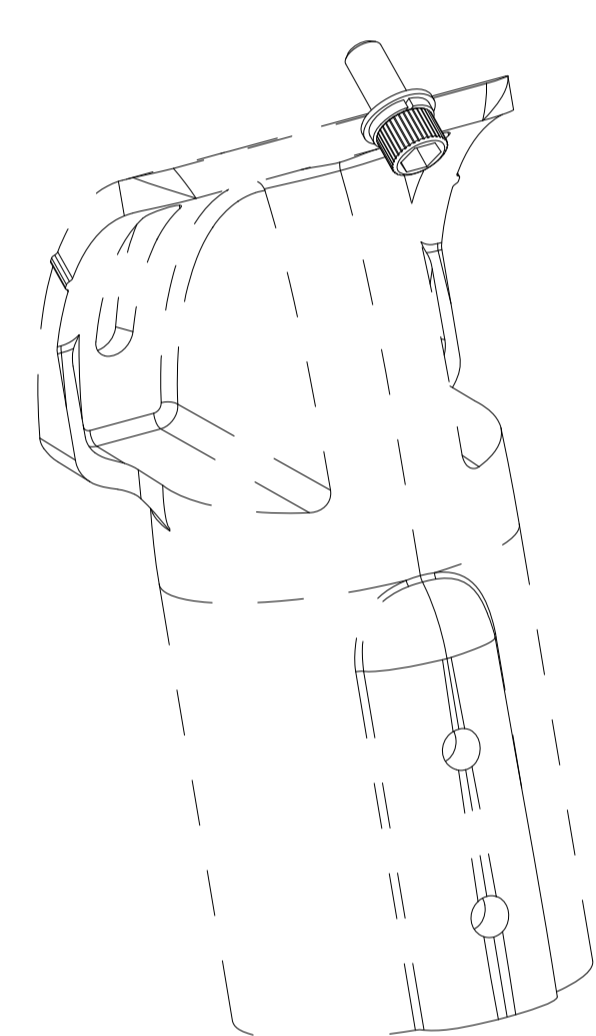
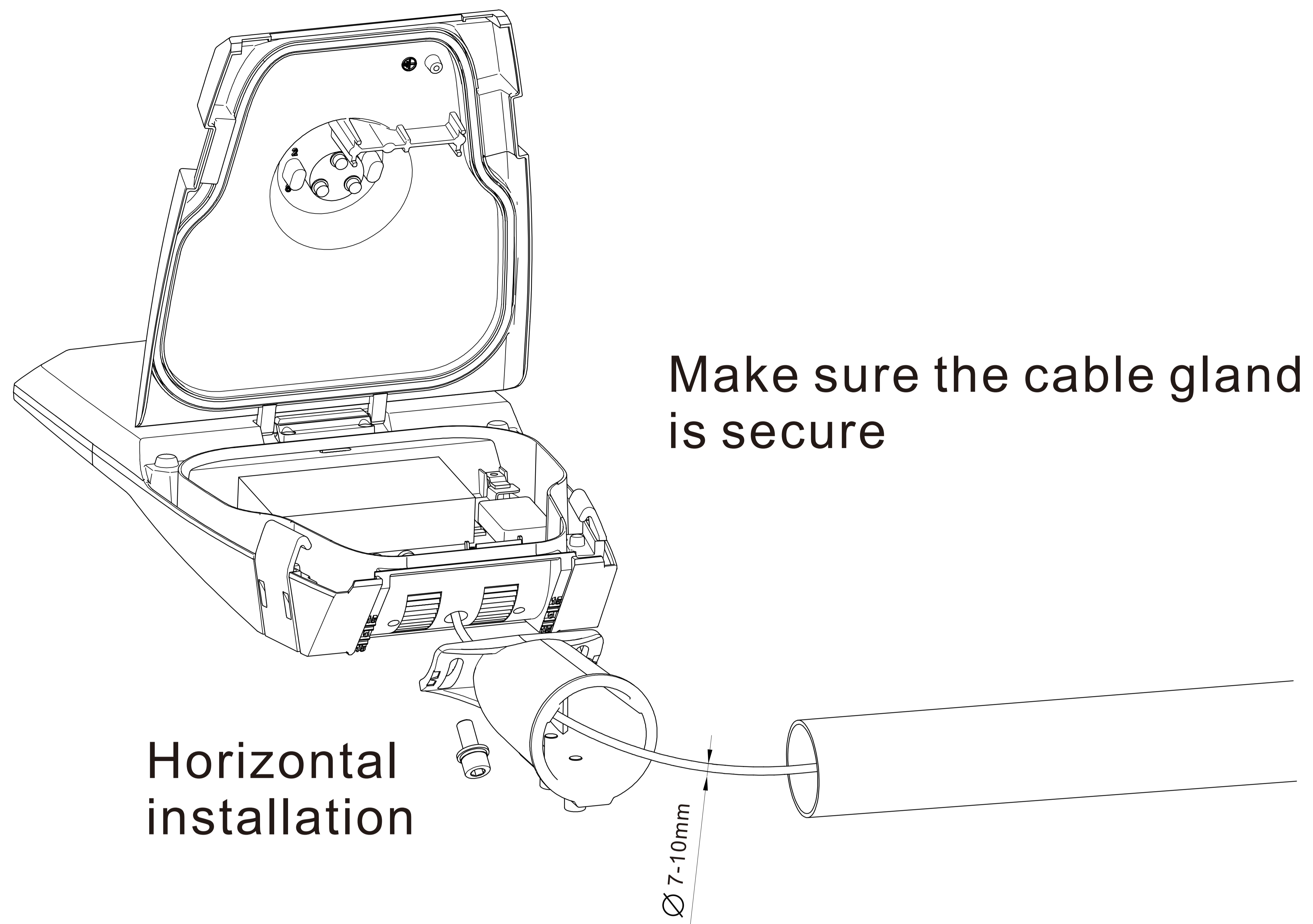


② Open

the upper cover

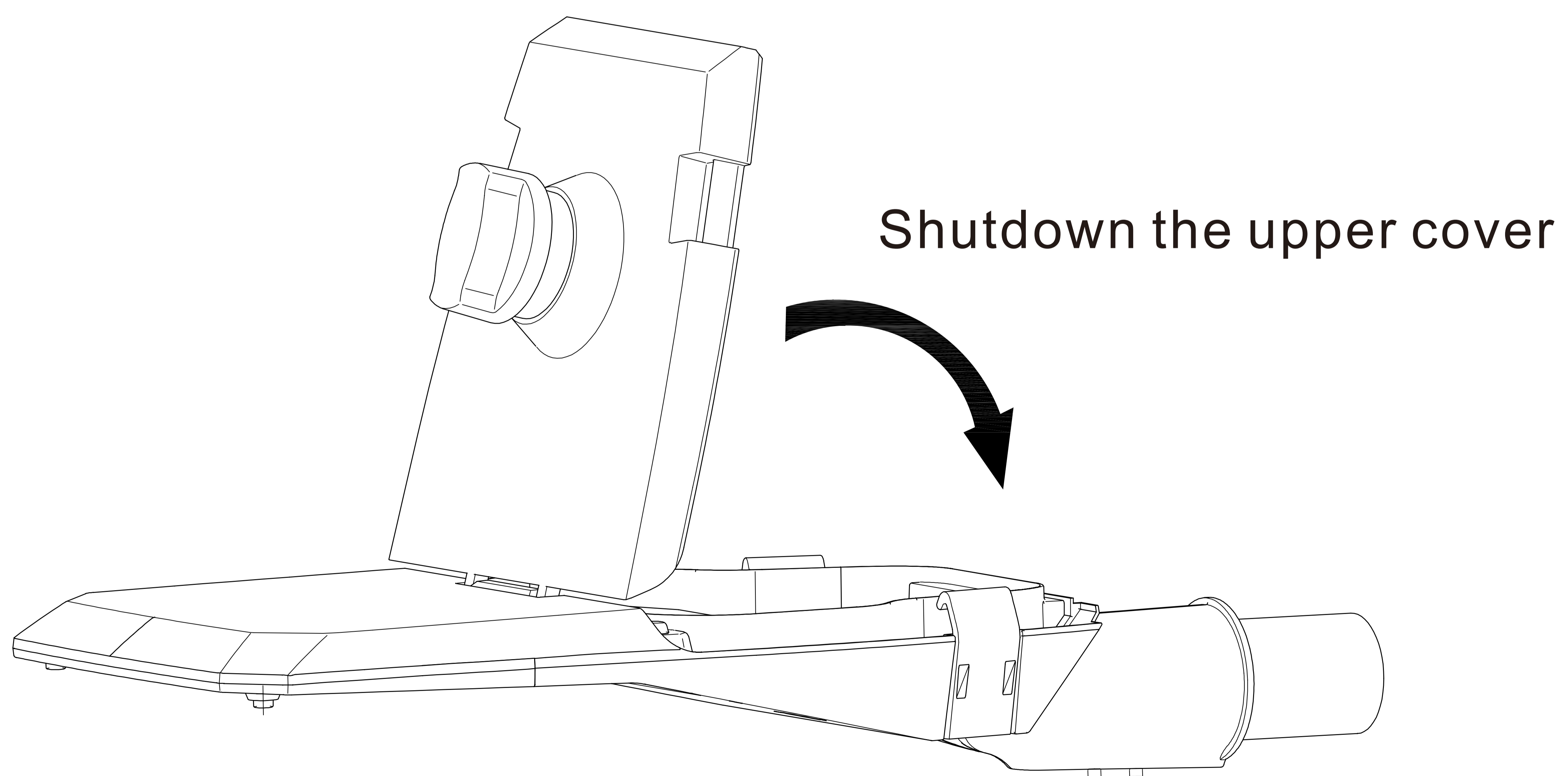


2



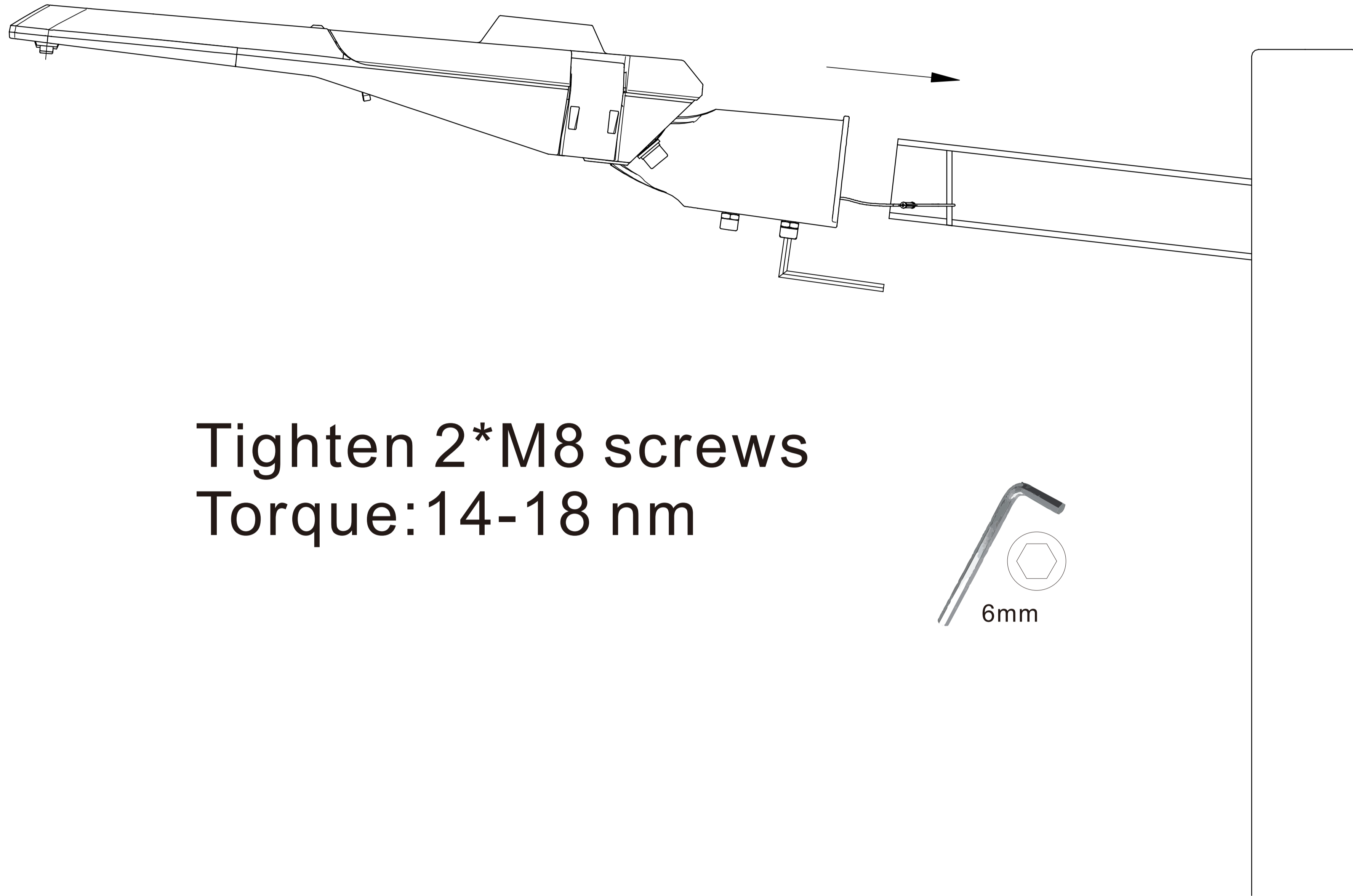
Vertical installation

3

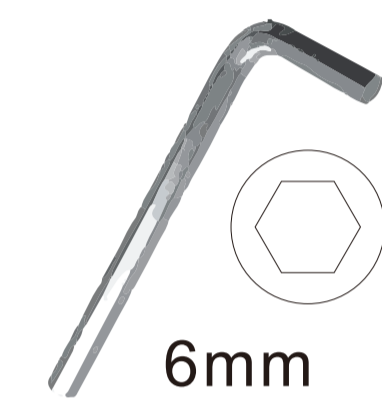


Notice: Make sure the line is not pressed

4

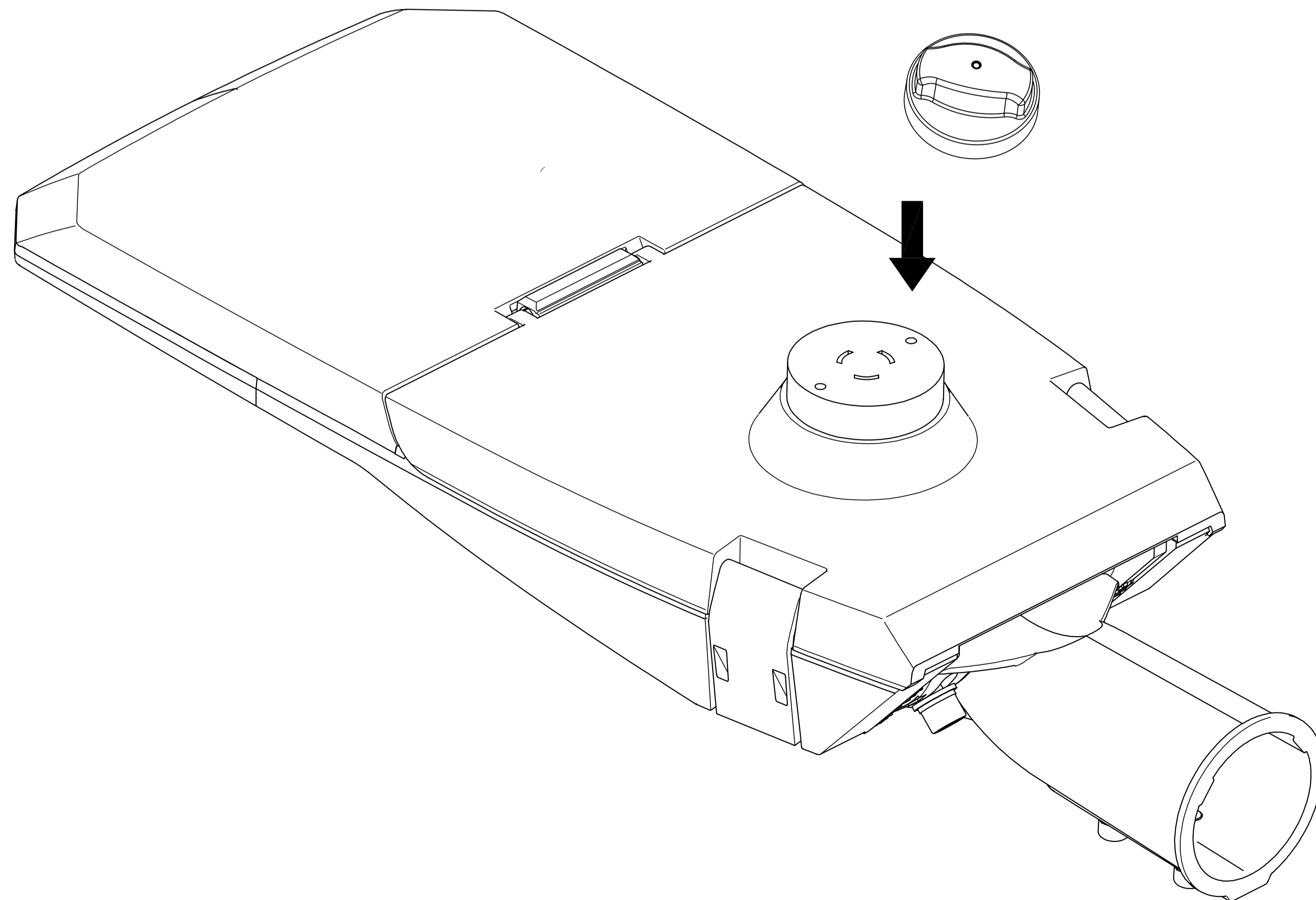


Tighten 2*M8 screws
Torque:14-18 nm



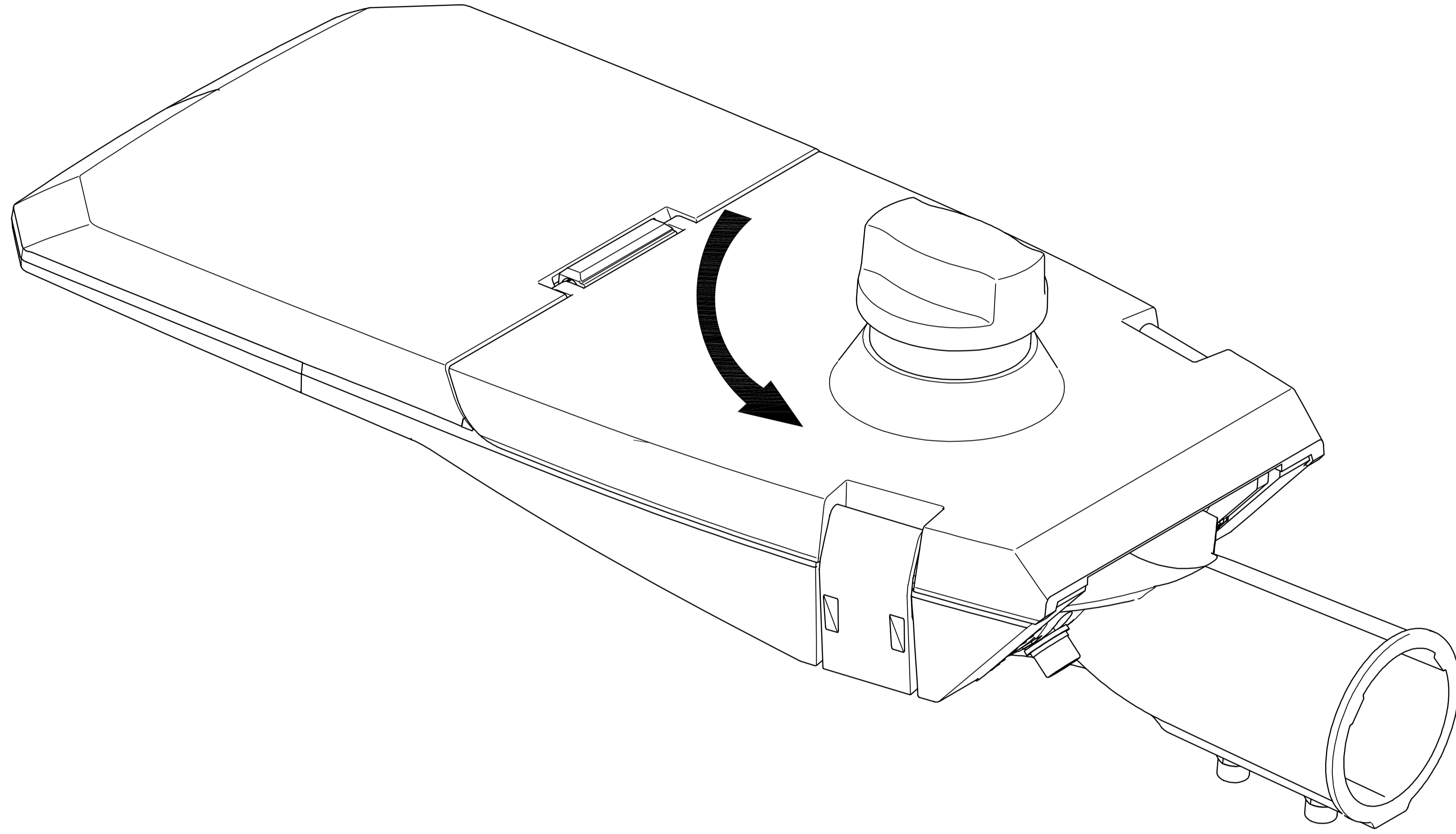
5

Insert the pins of the shorting cap into the NEMA receptacle

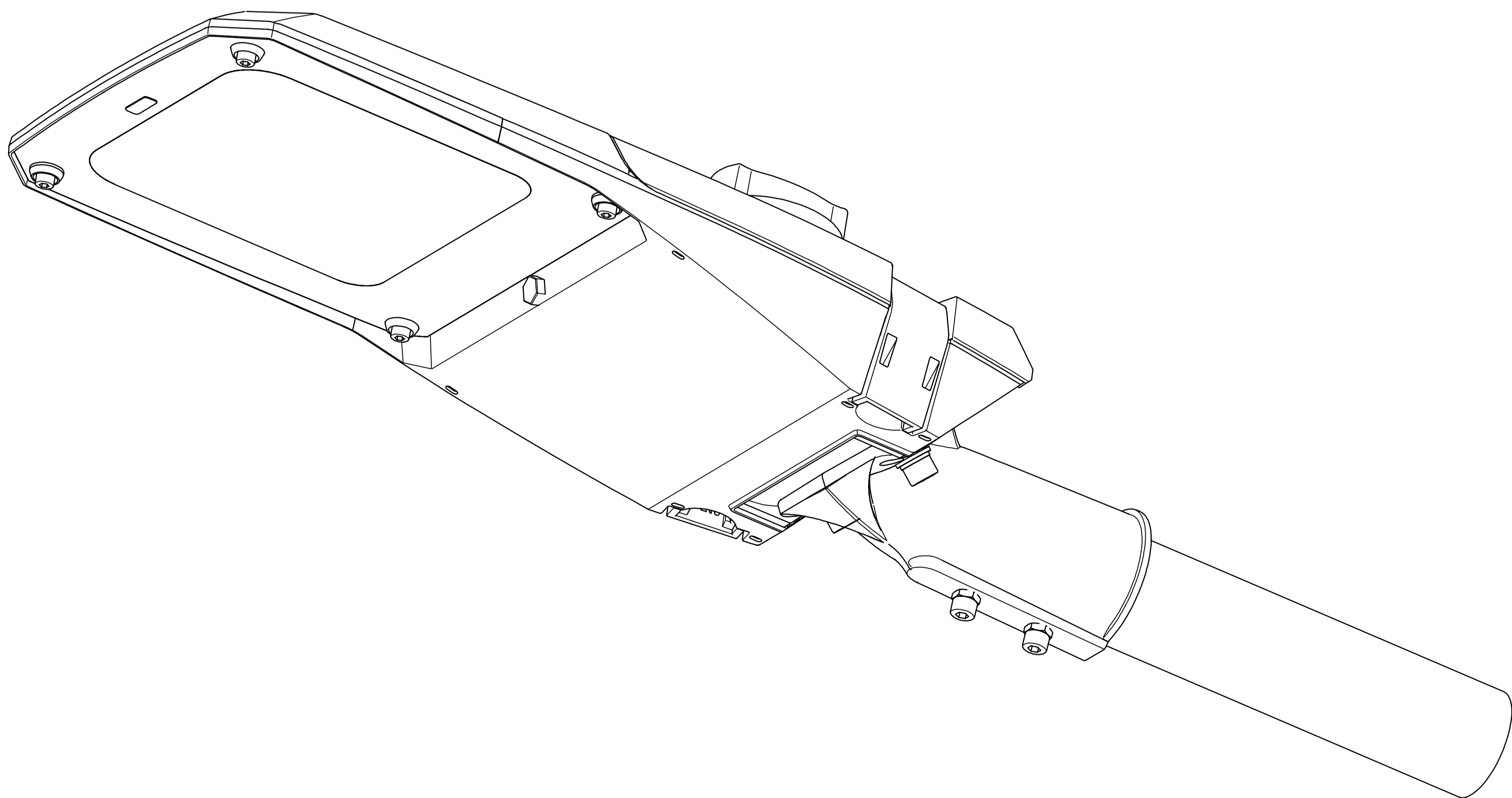


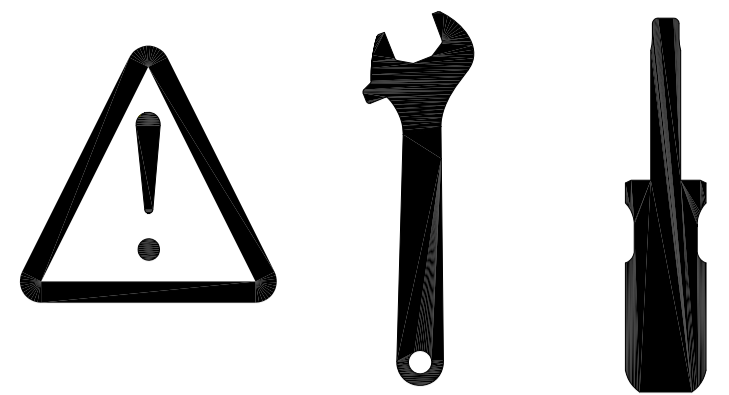
6

Tighten the shorting cap



7



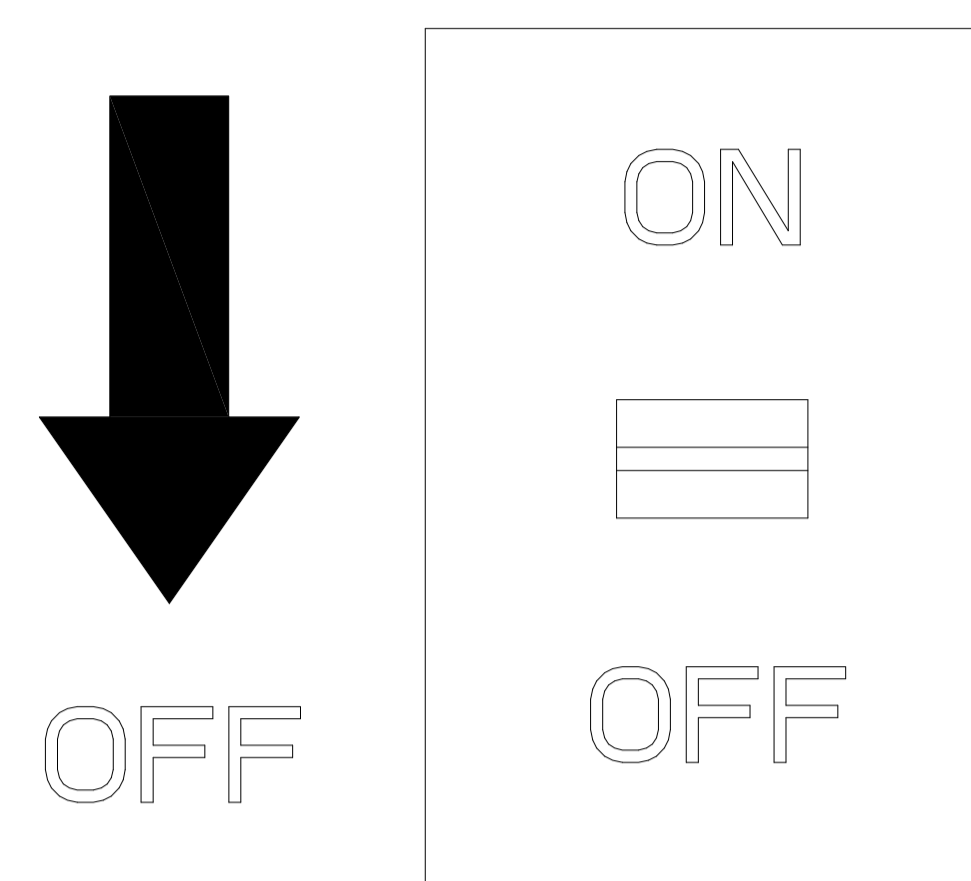
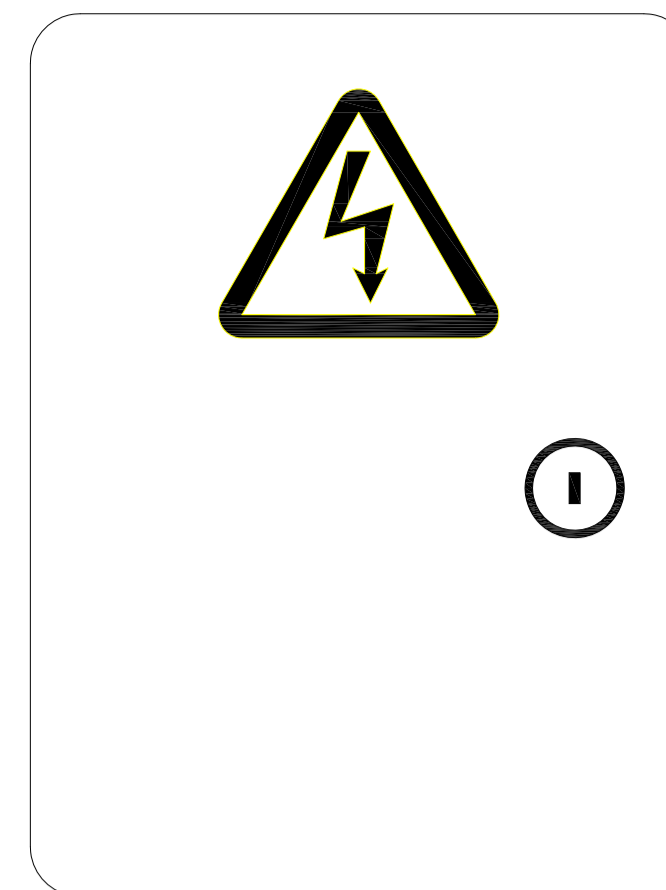


Maintenance instructions for luminaire components

1

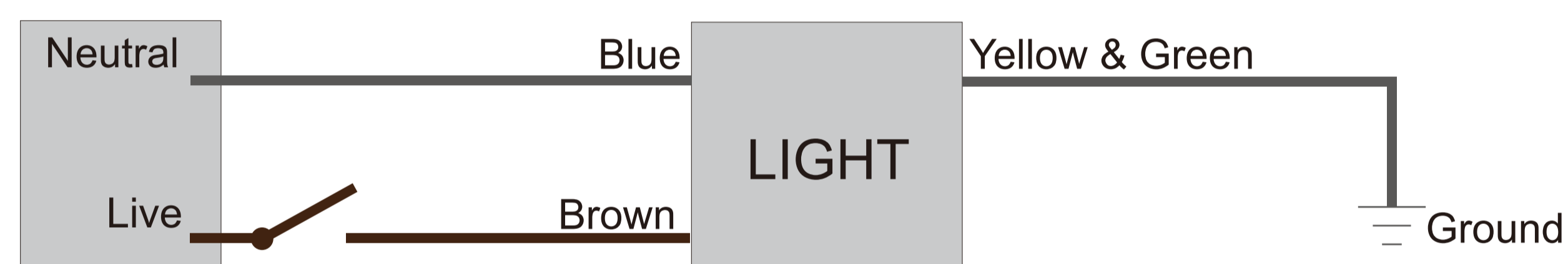
When luminaire optical component and driver component need to be replaced, you should refer to the following steps.

Class I solution

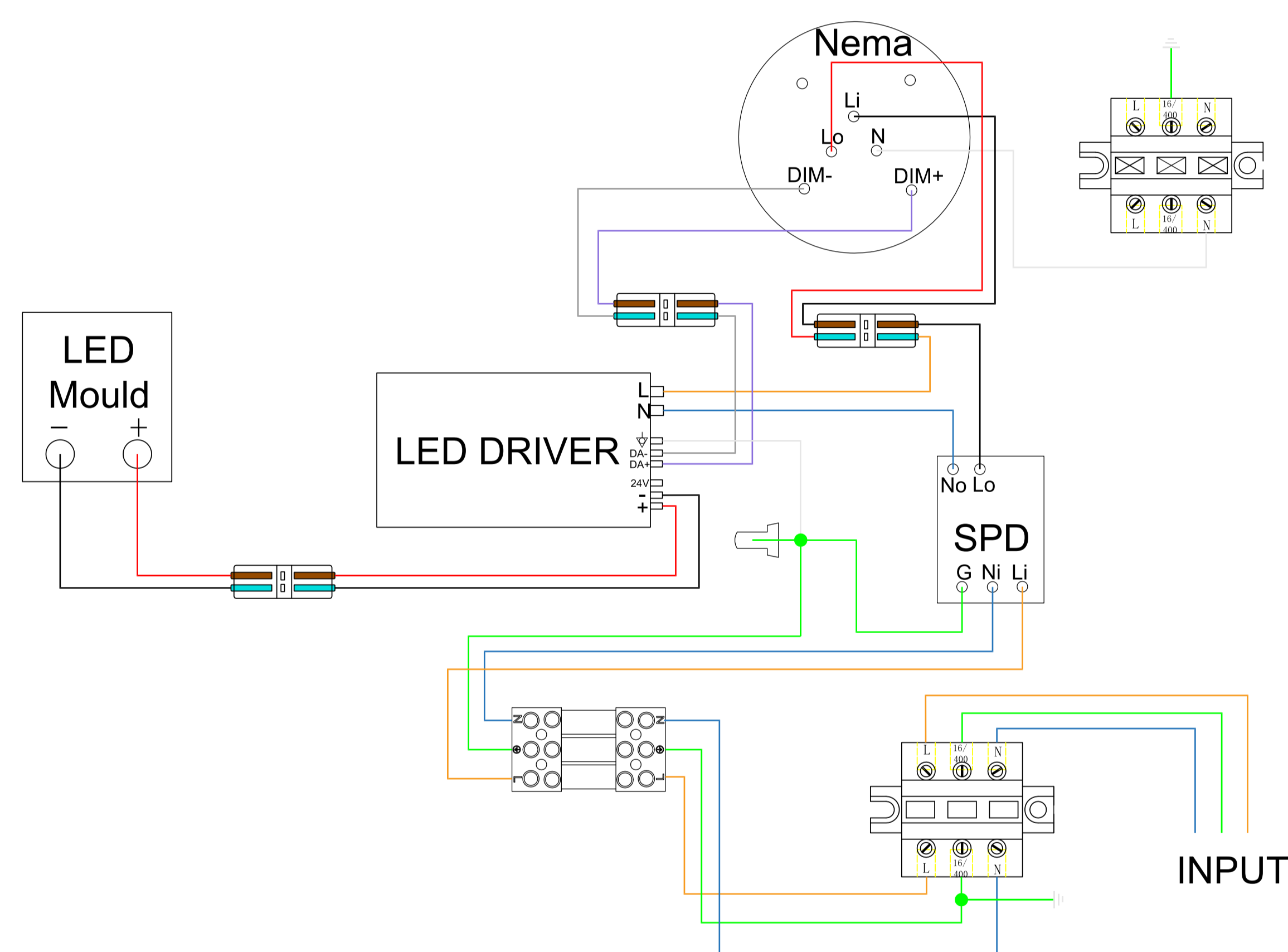


Make sure the power supply is disconnected

2

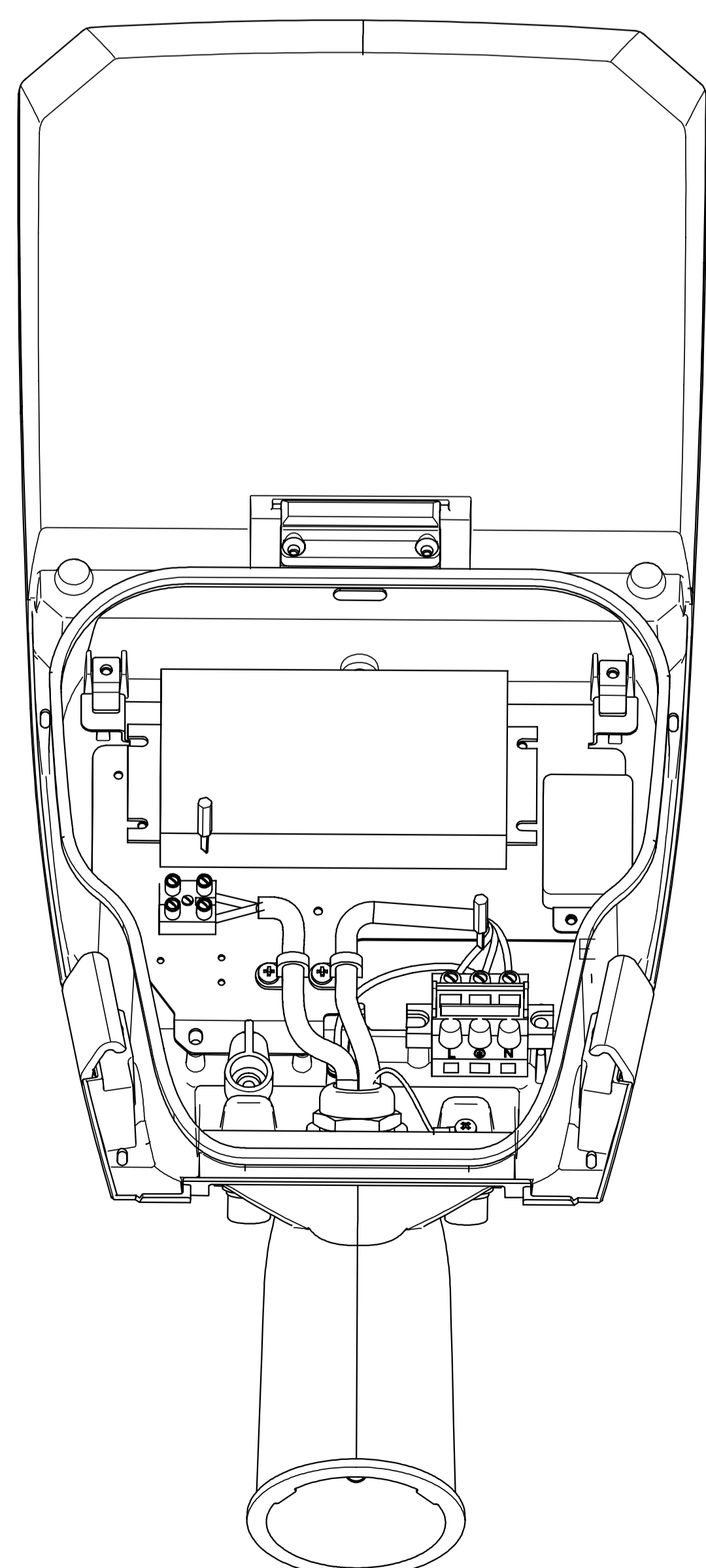
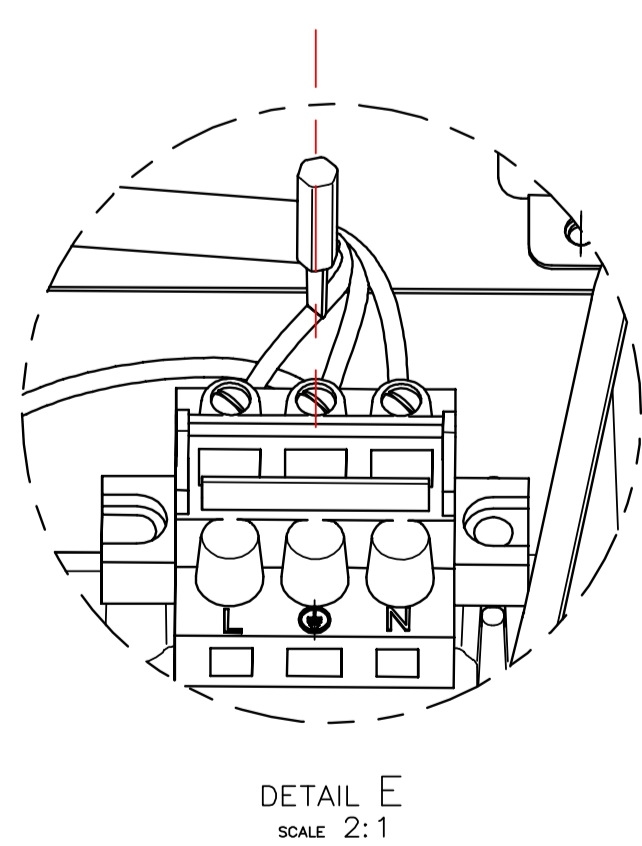


3

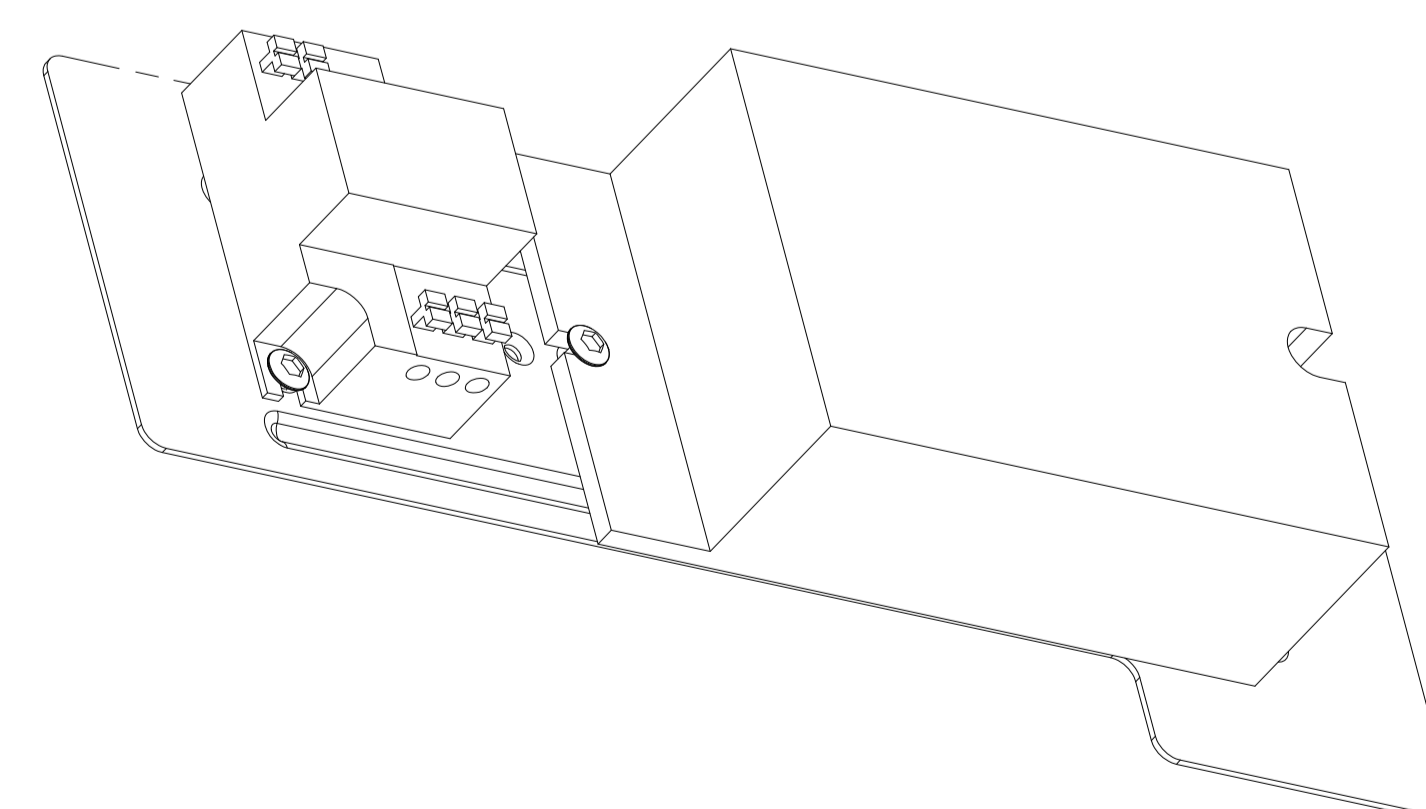


Disconnect the cables as prompted by the line symbol

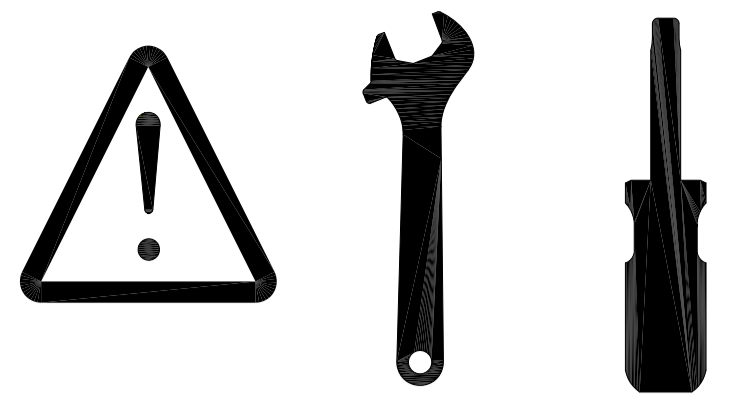
4



5



The driver component to be replaced

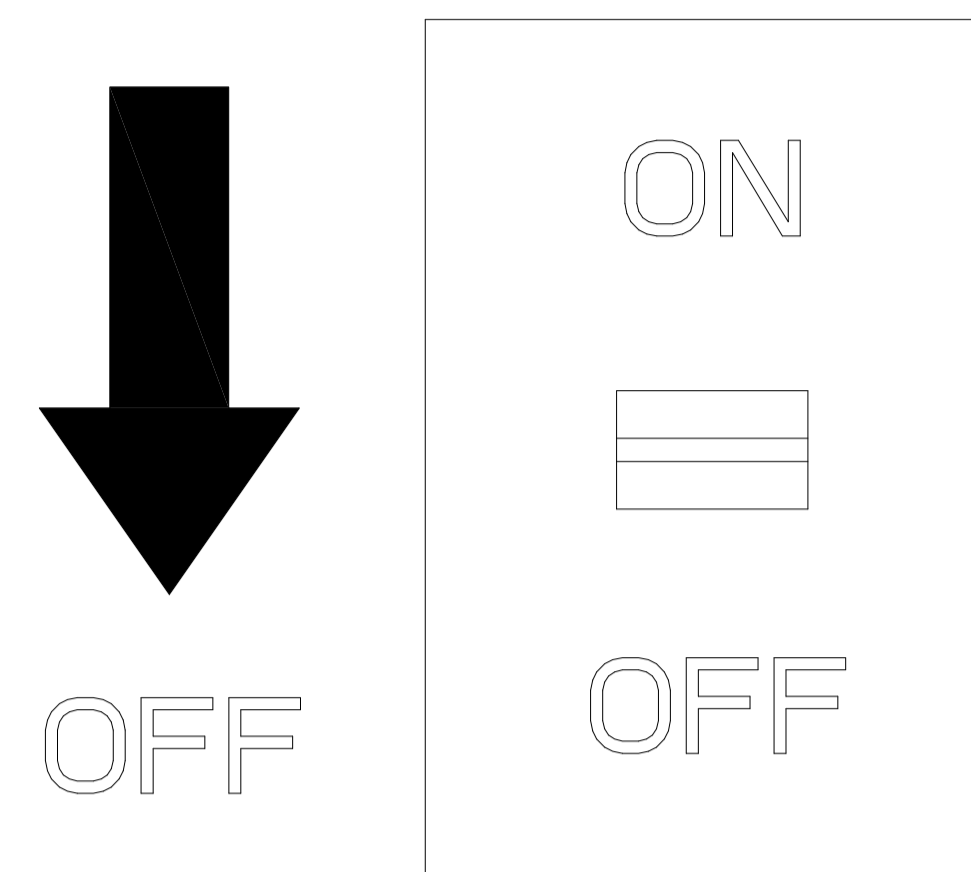
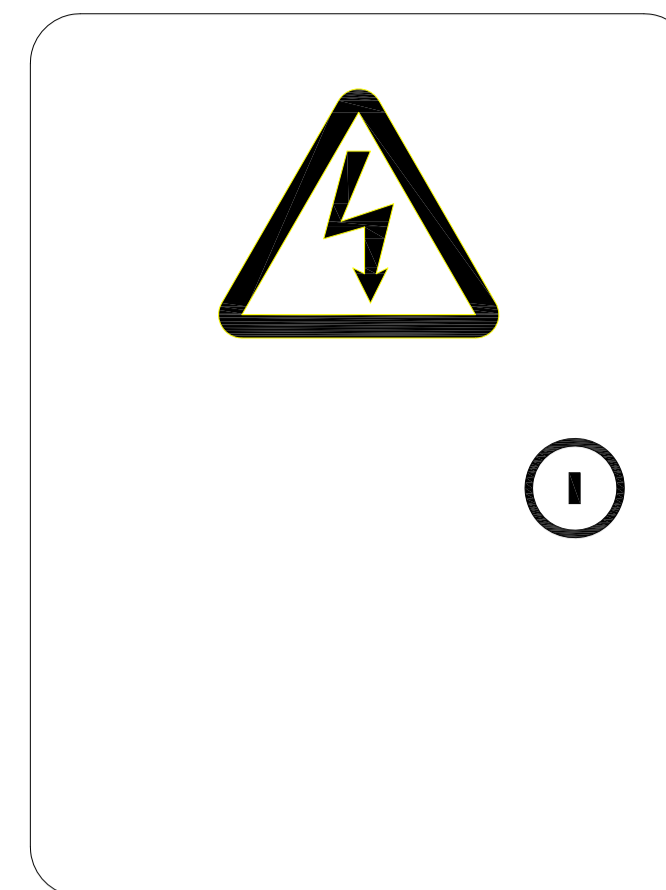


Maintenance instructions for luminaire components

1

When luminaire optical component and driver component need to be replaced, you should refer to the following steps.

Class II solution

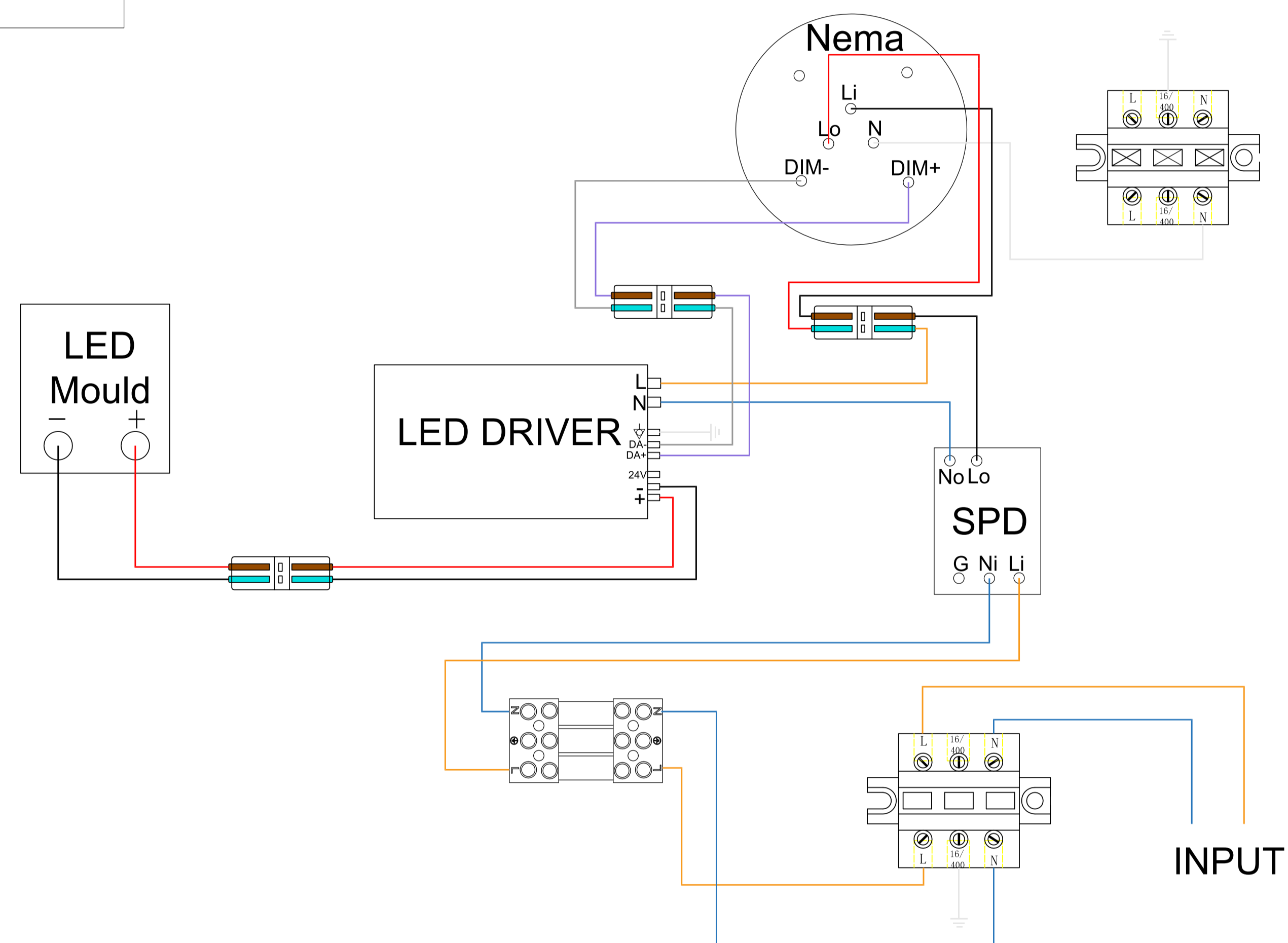


Make sure the power supply is disconnected

2

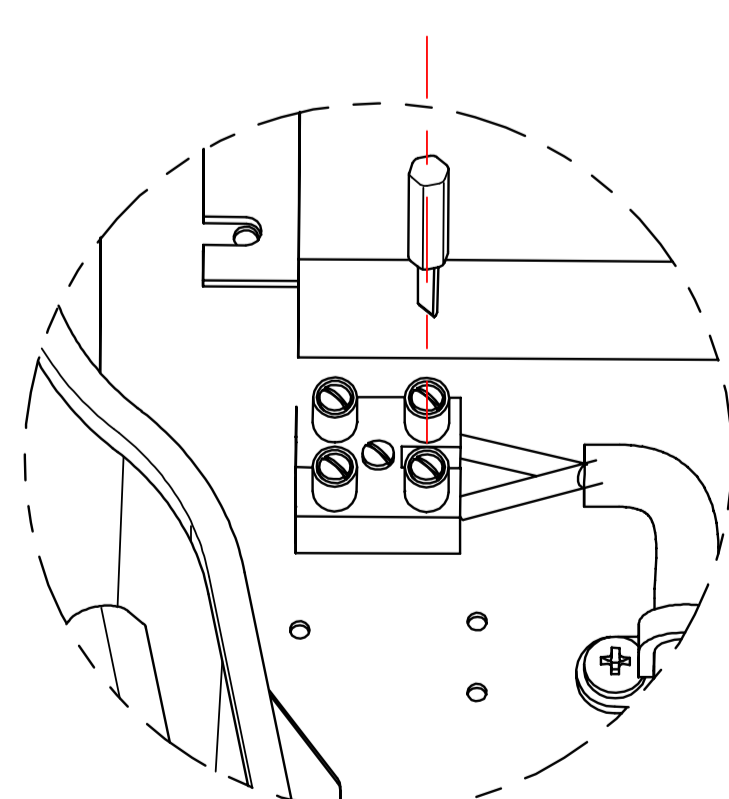


3

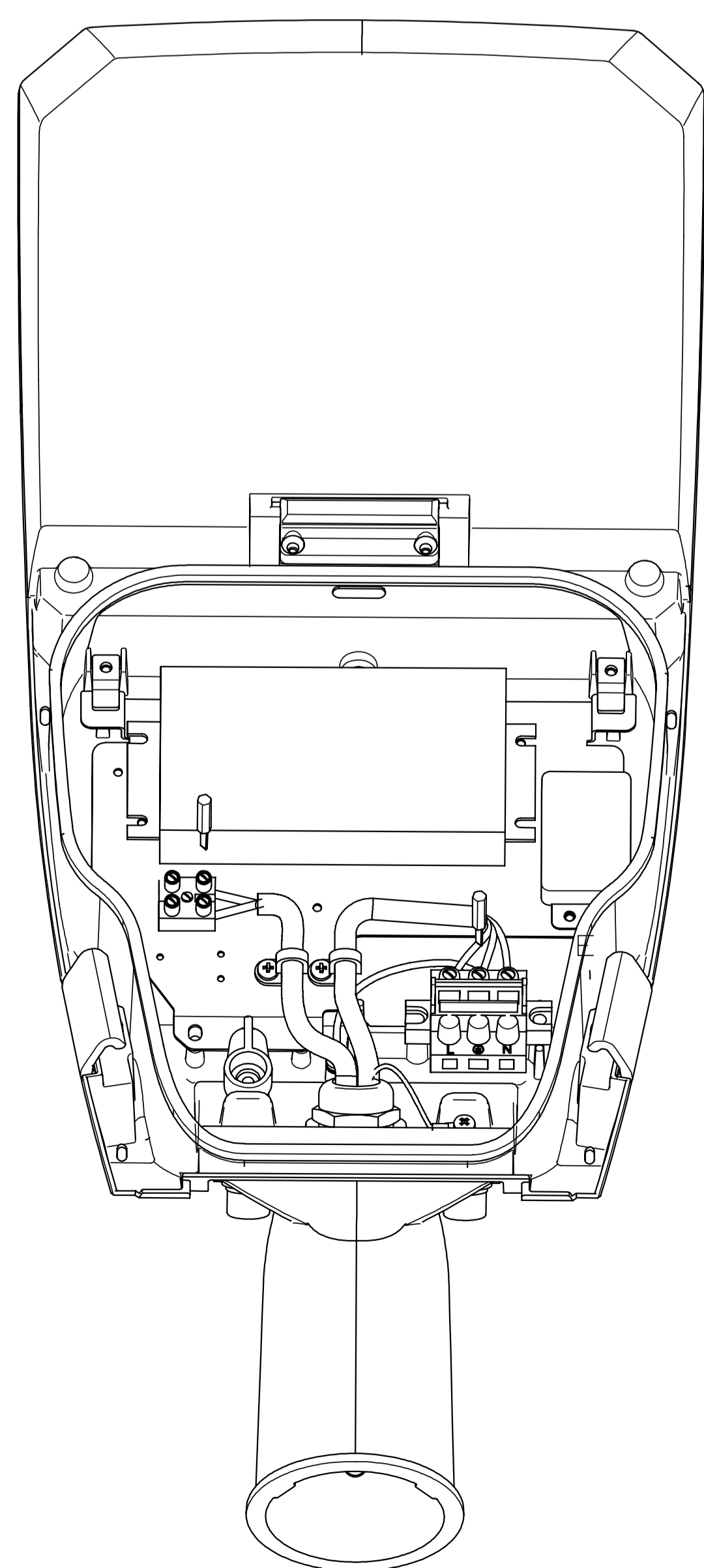


Disconnect the cables as prompted by the line symbol

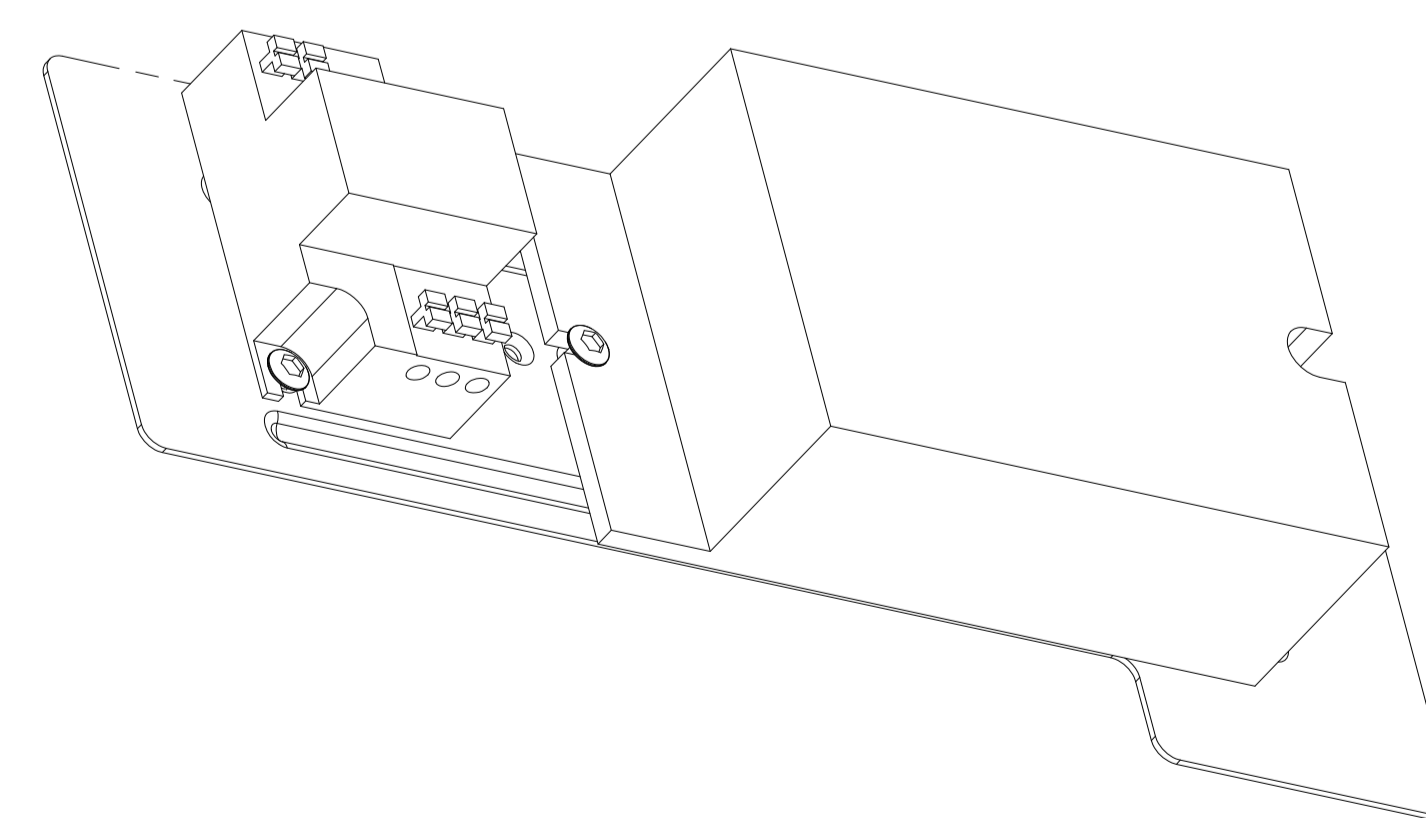
4



DETAIL F
SCALE 2:1

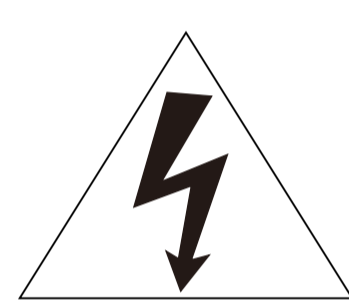


5

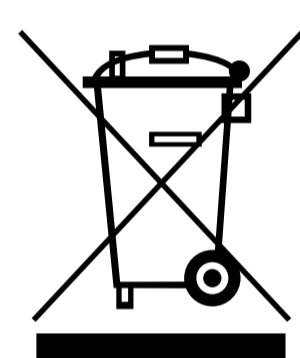


The driver component to be replaced

The luminaire shall only be repaired or maintained by the manufacturer or his service agent or a qualified electrician.



Caution, risk of electric shock



This marking indicates that this product should not be disposed with other household wastes through the EU. To prevent possible harm to the environment or human health from uncontrolled waste disposal, recycle it responsibly to promote the sustainable reuse of material resources. To return your used device, please use the return and collection system or contact the retailer where the product was purchased. They can take this product for environmental safe recycling.

Warning:

1. If the external flexible cable or cord of this luminaire is damaged, it shall be exclusively replaced by the manufacturer or his service agent or a similar qualified person in order to avoid a hazard
2. The light source contained in this luminaire shall only be replaced by the manufacturer or his service agent or a similar qualified person



LUMENIA
LIGHT SMARTER

LUMENIA d.o.o.
Kandrše 7
1252 Vače, Slovenia, EU