

U LUM

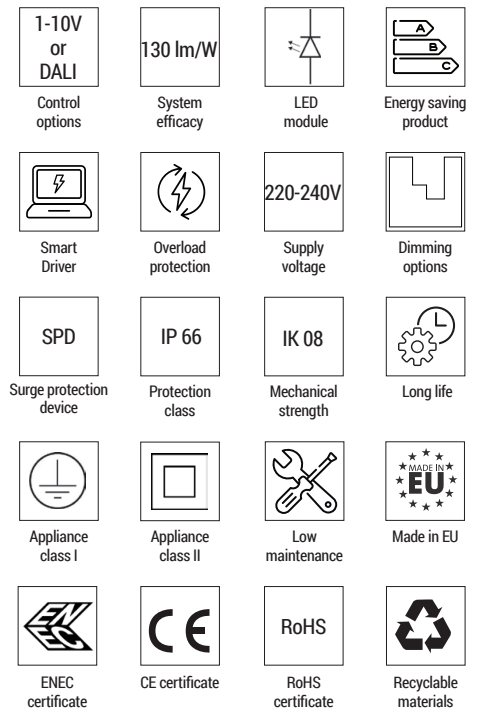


**LUMENIA
STREET**

The modern futuristic design of the U LUM light complements the aesthetics of the city and integrates well in the urban environment. U LUM LED light makes urban areas more appealing and inviting for people, while also saving energy, reducing your environmental impact and making these areas safe for children, pedestrians and cyclists.



	U LUM
System efficacy	Up to 130 lm/W
Supply voltage	120-277 VAC 50 ÷ 60 Hz
LED	135
Power	10 - 40 W
Luminous flux	1,300 - 5,200 lm
Power factor	> 0.97
EPA rating	0.248 m ²
Advisable installation height	Up to 6 m
Weight	9 kg
Lifetime L80B10	> 65,000 h
CCT	4,000 K; other upon request
CRI	> 80
Ingress protection	IP 66
Mechanical strength	IK 09
Surge protection options	10 kV / 10 kA
Operating temperature	-40 °C to +55 °C
Electrical / Appliance class	Class I, Class II
Dimming levels	0 - 100 %
Remote control options	Optional RF, PLC or Bluetooth
Colour (RAL)	Ral 9011
Housing material	Aluminium
Mounting	Pole 60 mm, 76mm (possible adapter use for other dimensions)
Warranty	5 years on electronics, 10 years on mechanical parts
Certificates	EN 55015:2013-08-01; EN61547:2009-08-01; EN 61000-3-2: 2006-04-01 + A1: 2009-07-01 + A2 2009-07-01; EN 61000-3-3:2013-08-01; IEC 60598-2-3:2002 (Third Edition) + A1:2011 Used in conjunction with IEC 60598-1:2014 (Eighth Edition); CE, ENEC



MAIN FEATURES

Overheat protection
5-step dimming
Constant lumen flux
Surge protection device (SPD)

APPLICATIONS

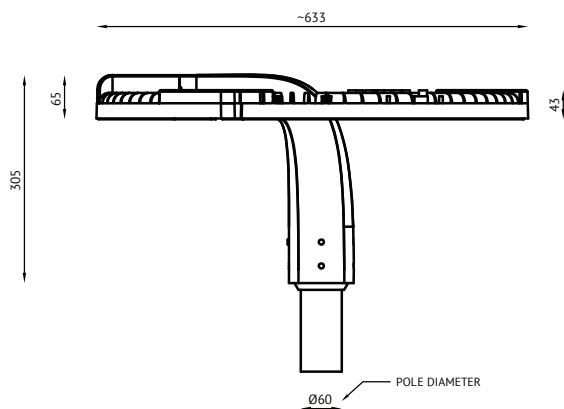
Modern urban areas
Parks and gardens
Pedestrians and cycle paths

ACCESSORIES

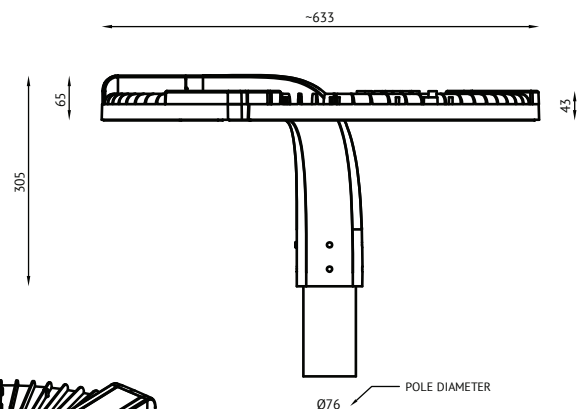
Optional RF, PLC or Bluetooth module
Pole mounting adapters

DIMENSIONS

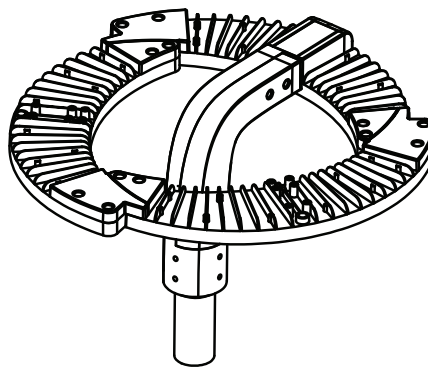
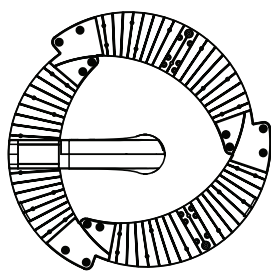
U LUM Ø 60



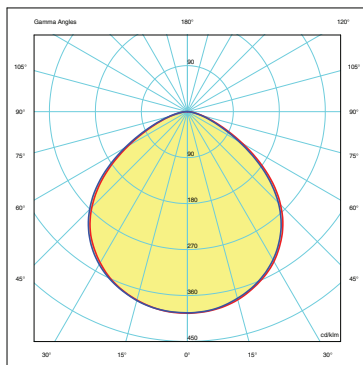
U LUM Ø 76



*All dimensions are in mm.



OPTIC



Suitable for parks and pedestrian paths.

PRODUCT VARIATIONS

Article	LED	Power [W]	Luminous flux [lm]	Efficacy [lm/W]	Forward current [mA]	Body type	Control	Luminaires per fuse	Appliance class	Additional options
U LUM135.010.001	135	10	Up to 1300	Up to 130	20	U LUM	DALI or 1-10V	< 50 pcs	Class I / Class II	PLC, RF, Bluetooth
U LUM135.025.001	135	25	Up to 3250	Up to 130	30	U LUM	DALI or 1-10V	< 21 pcs	Class I / Class II	PLC, RF, Bluetooth
U LUM135.040.001	135	40	Up to 5200	Up to 130	50	U LUM	DALI or 1-10V	< 21 pcs	Class I / Class II	PLC, RF, Bluetooth

The latest validated data is available at www.lumenia.com.

LUMENIA d.o.o., Kandrše 7, 1252 Vače, Slovenia
 Tel: +386 3 567 07 96, e-mail: info@lumenia.com
www.lumenia.com