



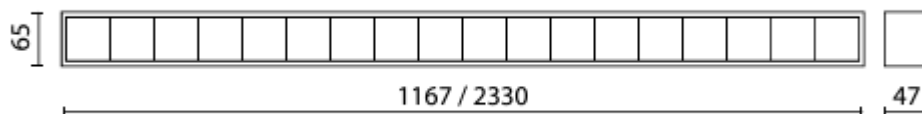
LUMENIA

# PRIROČNIK ZA NAMESTITEV / INSTRUCTION MANUAL

*I LUM*

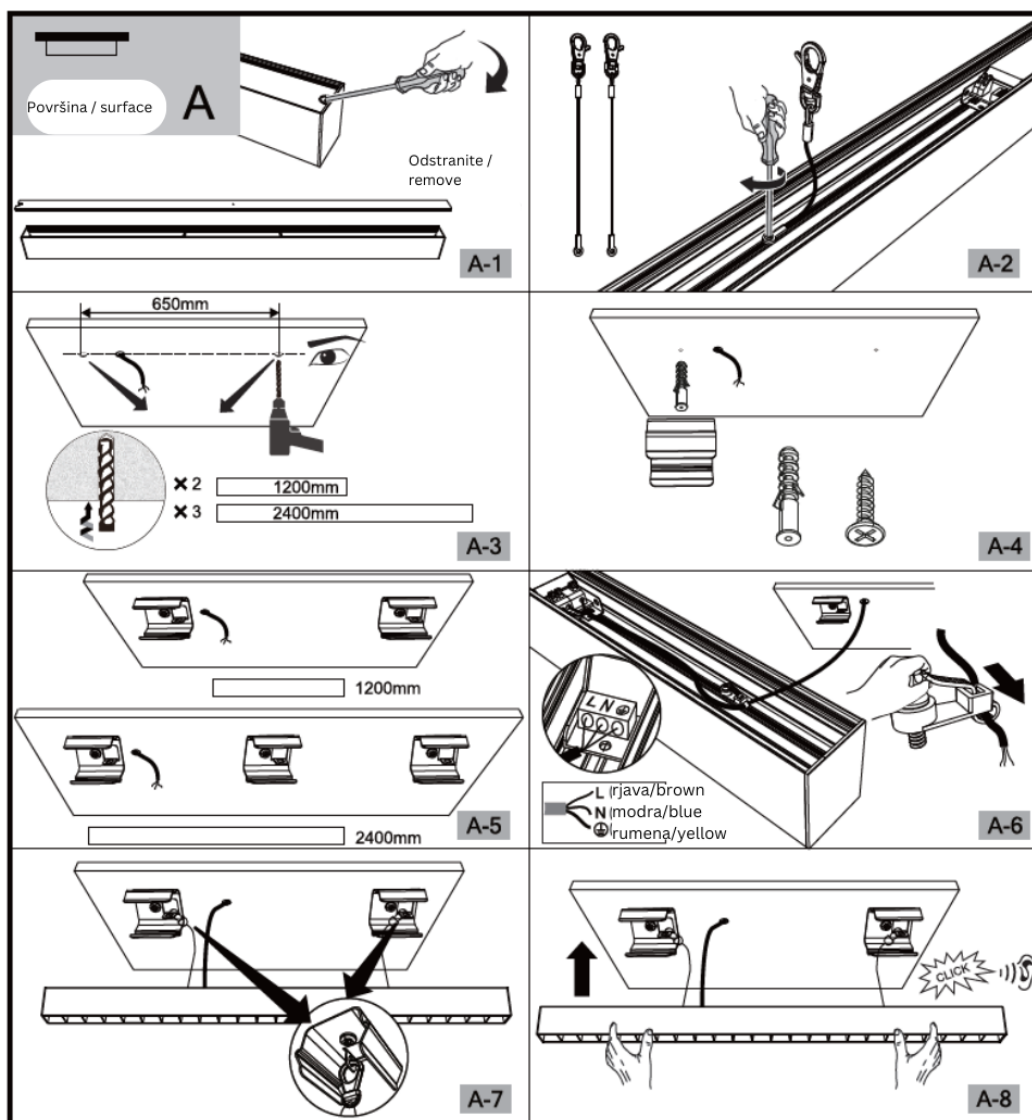


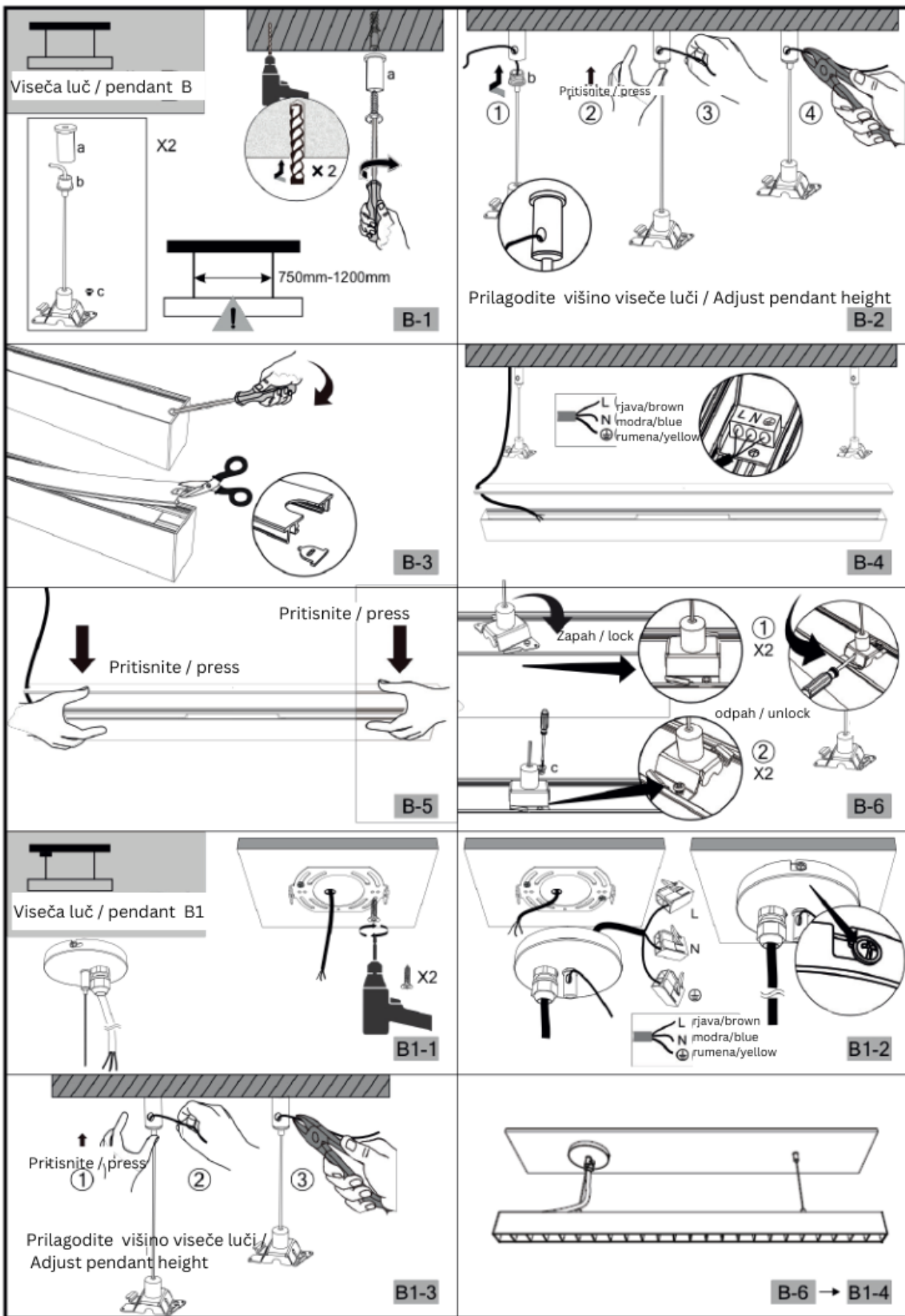
# 1. SPECIFIKACIJE / SPECIFICATION

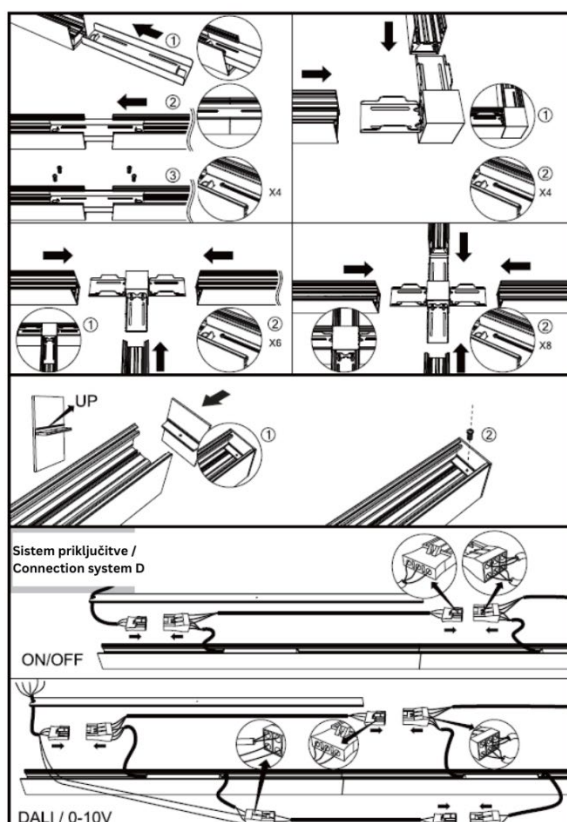
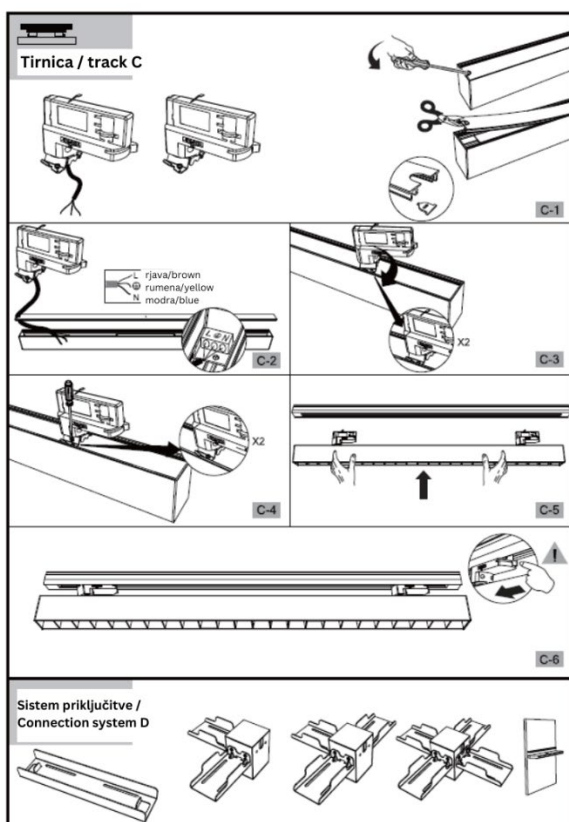


MODEL	Moč / Power	Vhod / Input	Mere / Dimensions (mm)*	Teža / Weight (kg)	IP	T (°C)
I LUM	30,45 W	220-240 VAC / 50 Hz	1167/2230 x 65	0.5 - 3	20	-20 do +35

# 2. KORAKI NAMESTITVE / INSTALLATION







Svetilo lahko popravlja ali vzdržuje le proizvajalec ali njegov servisni zastopnik ali usposobljen električar. / The luminaire should only be repaired or maintained by the manufacturer or his service agent or a qualified electrician.



Previdno, nevarnost električnega udara. / Caution, risk of electric shock.



Ta oznaka označuje, da tega izdelka ni dovoljeno odstranjevati z drugimi gospodinjskimi odpadki v EU. Da bi preprečili morebitno škodo za okolje ali zdravje ljudi zaradi nenadzorovanega odlaganja odpadkov, jih odgovorno reciklirajte in tako prispevajte k trajnostni ponovni uporabi materialnih virov. Če želite vrniti uporabljeno napravo, se obrnite na prodajalca, pri katerem ste izdelek kupili. Ta izdelek lahko prevzame za recikliranje, namenjeno varstvu okolja. / This marking indicates that this product should not be disposed with other household wastes through the EU. To prevent possible harm to the environment or human health from the uncontrolled waste disposal, recycle it responsibly to promote the sustainable reuse of material resources. To return your used device, please contact the retailer where the product was purchased. They can take this product for environmental safe recycling.

Opozorilo / warning:

- Če je zunanji gibljivi kabel ali vrstica te svetilke poškodovana, jo mora zamenjati izključno proizvajalec ali njegov servisni zastopnik ali ustrezno usposobljena oseba, da se prepreči tveganje. / If the external flexible cable or cord of this luminaire is damaged, it shall be exclusively replaced by the manufacturer or his service agent or a similar qualified person in order to avoid a hazard.
- Svetlobni vir v tem svetilu sme zamenjati zgolj proizvajalec, njegov zastopnik ali druga kvalificirana oseba. / The light source contained in this luminaire shall only be replaced by the manufacturer or his service agent or a similar qualified person.